



**GAS FRYERS**

**INSTRUCTION FOR INSTALLATION AND USE  
DIE GEBRAUCHS UND INSTALLATIONSANWEISUNG  
NOTICE D'INSTALLATION ET D'EMPLOI  
INSTRUCTIE VOOR INSTALLATIE EN GEBRUIK  
NÁVOD K OBSLUZE A INSTALACI  
INSTRUKCJE MONTAŻU I OBSŁUGI**



**FE 30 GL**



[www.rmgastro.com](http://www.rmgastro.com)





## **CONTENT**

Declaration of a standards conformity	3
Instruction for use	10
Cleaning and maintenance	11

## **INHALT**



Die Normenübereinstimmungsdeklaration	12
Gebrauchsanweisung	18
Die Reinigung und Instandhaltung	19

## **CONTENU**



Déclaration de conformité	20
Mode d'emploi	25
Nettoyage et entretien	26

## **INHOUD**



De verklaring van overeenstemming met de normen	27
Gebruiksaanwijzing	34
Reiniging en onderhoud	35

## **OBSAH**



Prohlášení o souladu s normami	38
Návod k použití	45
Čistění a údržba	46

## **TREŚĆ**



Oświadczenie o zgodności z normami	47
Instrukcja obsługi	54
Czyszczenie i konserwacja	---

## DECLARATION OF A STANDARDS CONFORMITY

The producer confirms that the devices agree with 2016/426/EU, 2014/35/EU, 2014/30/EU standards, rule nr. 22/1997 sb., 258/2000 sb, 38/2001 sb, 118/2016 sb., 117/2016 sb. and with relevant government orders. Installation must be done with respect to valid standards. Attention, the producer refuses any responsibility in case of direct or indirect damages which are caused due to wrong installation, incorrect intervention or modification, insufficient maintenance, incorrect use and also possibly caused by other reasons presented by items in sale conditions. This appliance is set only for skilled use and must be operated by qualified persons only. Parts set and secured by the producer or accredited person must not be rebuilt by user.

### TECHNICAL DATA

Label with technical data is placed on the back side of the device. Study the electrical diagram of connection and all following information before installation.

Model	Burner (kW)	volume (l)	weight of the filling on the bath (kg)	device weight (kg)	Dimensions (mm)
FE 30 GL	7	8	1	22	410x480x645

test gas	G20	G20	G25	G27	G30	G30	G30	G31	G25.1	G2.350	G25
test overpressure (mbar)	20	25	25	20	30	37	50	37	25	13	20
nozzle diameter (mm)	1,25	1,20	1,25	1,40	0,87	0,80	0,80	0,87	1,30	1,70	1,35
pilot nozzle diameter (mm)	0,27-2	0,27-2	0,27-2	0,27-2	0,30	0,30	0,30	0,30	0,27-2	0,27-2	0,27-2

**Parts that have been set by the manufacturer or service technician during installation must not be re-set by the operator.**

**The maximum and reduced rated heat input in kW is related to the Hi of the gas used.**

**If the product is connected to LPG, the gas cylinder must be in a sufficiently ventilated room.**

## Table of gases for which the product is intended

Version	Product categories	Connection overpressures[mbar]	Used gas	Country of destination
A1	I2E	20	G20	DE, NL, PL, RO
	I2ELL	20, 20	G20, G25	DE
	I2E+	20/25	G20/G25	BE, FR
	I2H	25	G20	HU
	I2H	20	G20	AT, BG, CH, CZ, DK, HR, EE, ES, FI, GB, GR, IE, IT, LT, LV, NO, PT, RO, SE, SI, SK, TR, LU, CY, FR
	I2L	25	G25	FR
	I2L	20	G25	RO
	I2Lw	20	G27	PL
	I3B/P	30	G30	BG, CY, CZ, DK, GB, HR, EE, FI, FR, GR, HU, IT, LT, LV, MT,NL, NO, RO, SE, SI, SK, TR
	I3B/P	37	G30	PL
	I3B/P	50	G30	AT, DE, CZ, CH, FR, SK
	I3P	37	G31	BE, CH, CZ, ES, GB, GR, IE, RO, SI, SK, FR, NL, PT, HR, IT, LT, PL, TR
	I3+	28-30/37	G30	BE, CH, CY, CZ, EE, ES, FR, GB, GR, IE, IT, LT, PT, SI, SK, TR
	II2E3B/P	20, 50	G20, G30	DE, PL, RO
	II2ELL-3B/P	20, 20, 50	G20, G25, G30	DE
	II2E+3+	20/25, 28-30/37	G20/G25, G30	BE, FR
	II2E+3P	20/25, 37	G20/G25, G31	BE, FR
	II2H3B/P	20, 30	G20, G30	BG, CZ, GB, DK, HR, EE, FI, GR, IT, LT, LV, NO, RO, SE, SI, SK, TR, CY, FR
	II2H3B/P	20, 50	G20, G30	AT, CH, CZ, FR, SK
	II2H3P	20, 37	G20, G31	CH, CZ, ES, GB, GR, IE, RO, SI, SK
	II2H3+	20, 28-30/37	G20, G30	CH, CY, CZ, EE, ES, GB, GR, IE, IT, LT, PT, SK, SI, TR
	II2L3B/P	25, 30	G25, G30	NL
	II2L3B/P	25, 50	G25, G30	NL
	II2L3B/P	20, 30	G25, G30	RO
	II2H-S3B/P	25, 25, 30	G20, G25.1, G30	HU

## PACKING AND DEVICE CHECK

The device leaves our stocks properly packed with appropriate symbols and labels. There are also appropriate instructions for use. In case the packing shows bad handling or damage, it must be reclaimed at transporter immediately by writing and signing of a damage protocol.

**The product must be re-inspected once a year by a professional service technician. The main parts to be checked are the electrical wiring and the correct functioning of the safety features (safety thermostats, contactors, etc.). In the event that the product is not checked at regular intervals, the manufacturer disclaims liability for any damage incurred.**

Important notice:

-This product is only intended for use inside.

Never use the appliance if it has a damaged supply cable or plug, if it is not working correctly, has fallen to the ground and been damaged or fallen into water. In such cases take the appliance to a professional service in order to verify that it is safe and works correctly.

- only for professional use
- this instructing guide must be read properly and carefully because it contains important information about safety elements, installation, use
- these recommendations refer to this product
- this product corresponds with valid standards
- this guide must be properly deposited for future use
- keep the children away from manipulation with the product
- when selling or moving the product to another place it is necessary to make yourself sure that the staff or the professional service has got acquainted with control and installation instructions from enclosed guide
- only authorised person can operate the product
- it can not be switched on without supervision
- we recommend to have the product checked by professional service min. once a year
- only original spare parts can be used for repairs
- the product can not be cleaned by the water jet or pressure shower
- by damage or break down disconnect all the feeders (water, gas, electricity) and call professional service
- producer refuses any responsibility in case of damages caused by wrong installation, by disobeying of above mentioned recommendations or by other use etc.

## PLACEMENT

The device must be installed in well ventilated room what is necessary for regulation of the function of the device (technician must go by valid standard (EN...)). If the device is situated close to the wall or if it is in contact with the furniture walls, these walls must resist the temperatures ranging to 90°C. Installation, setting, putting into operation must be done by qualified person who is competent for this and according to the valid standards.

Wrap up the device and check whether it was not damaged during transport. Settle the device on horizontal surface (max imbalance 2°). Settle the device under the fumehood to eliminate water steam and bad smell. The device can be installed separately or in a set with devices of our production. Min. distance 10 cm from other subjects must be kept. It is also necessary to prevent our product from contact with combustible materials. In this case you must make corresponding changes to secure heat isolation of combustible parts. Safety measures from the standpoint of the fire protection according to EN 061008čl. 21:

The components of the appliance provided by the manufacturer or its representative must not be reconfigured by the person installing the product.

## **PIPE FOR GAS CONNECTION**

It must first determine if the appliance is made for the same type of gas that will be used and thus conforms to the indications on the label the type of gas to be used.

The conversion of gas pan to another type of gas you need to check if it corresponds to the type of gas bearing, which is recommended in this guide.

Connecting the appliance to the gas distribution must be towable to a steel or copper tube complying with applicable national requirements. This must be controlled on regular basis and changed if needed. Every appliance must be equipped with shut-off valve and quick shut-off valve. Quick shut-off valve must be freely accessible and within reach of the device. After installation, is necessary to check whether there is a gas leak. To find a gas leak you can use soapy water or spray for gas leak detection.

Do not use corrosive substances!! All our appliances are carefully controlled. Gas type, pressure and of the categories listed named on the technical information plate.

### **Liquid gas connection:**

Pressure for liquid gas connection must be 28 or 30 mbar for propane/butane and 37 mbar for propane. It is necessary to check the technical label ,gauge the pressure and check the parameters of the nozzle is installed with the required parameters of the nozzle according to the manufacturer's. If the pressure is lower than 25mbar or higher than 37 mbar, THE APPLIANCE SHALL NOT TO BE CONNECTED.

### **Gas Connection:**

Pressure for methane connection must be 18 or 20 mbar. It is necessary to check the technical label ,gauge the pressure and check the parameters of the nozzle is installed with the required parameters of the nozzle according to the manufacturer's. If the gas pressure is lower than 15mbar or higher than 22,5 mbar, THE APPLIANCE SHALL NOT TO BE CONNECTED.

# SAFETY MEASURES FROM THE STANDPOINT OF THE FIRE PROTECTION ACCORDING TO EN 061008 ČL. 21

- only adults can operate the device
- device must be safely used in common surroundings according to EN 332000-4-462; EN 332000-4-42. You must switch the gas device off under the circumstances leading: to the danger of the temporary rise of the combustion gas or steam or during works when there is a big possibility of rise of the temporary fire danger or explosion (for example: to stick linoleum, PVC etc.).
- before you start to instal the device you must get the licence for connection to the gas feeder from the gasworks
- device must be placed so as to stand or hang on the noncombustible surface which is on each side 10 cm larger than the device. No subjects from combustible materials can be placed directly on the device or in distance which is shorter than safety distance (the shortest distance is 50 cm in the direction of the heat emission and 10 cm in other directions).- safety distances from various materials of different degree of combustion and information about the degree of comb. of common building materials - see chart:

## Chart:

Combustion degree of building materials classified according to the combustion degree of materials and products (EN 730823)

A noncombustible	granit, sandstone, concretes,bricks, ceramic wallfacing tiles, plaster
B uneasily combustible	akumine, heraklite, lihnos, itavere
C1 hardly combustible	leafy wood, plywood, sirkoklit, rare paper formica
C2 middle combustible	fibreboards, solodure, cork boards, rubber,floor-coverings
C3 easily combustible	wood-fibreboards, polystyrene,polyurethane, PVC

Devices must be instalated in a safe way. When instaling you must respect corresponding project, safety and hygienic orders according to:

- EN 061008 fire protection of local devices and sources of heat
- EN 332000 (33 2000-4-482; 33 2000-4-42) surrounding for electric devices ČSN EN 1775 Gas supplying
- Gas fi ttings in the buildings - the highest operational pressure < 5 bar - operation demands
- § 10 law nr. 185/2001 Sb. about waste

## **PIPE FOR GAS CONNECTION**

It must first determine if the appliance is made for the same type of gas that will be used and thus conforms to the indications on the label the type of gas to be used.

The conversion of gas pan to another type of gas you need to check if it corresponds to the type of gas bearing, which is recommended in this guide.

Connecting the appliance to the gas distribution must be towable to a steel or copper tube complying with applicable national requirements. This must be controlled on regular basis and changed if needed. Every appliance must be equipped with shut-off valve and quick shut-off valve. Quick shut-off valve must be freely accessible and within reach of the device. After installation, is necessary to check whether there is a gas leak. To find a gas leak you can use soapy water or spray for gas leak detection.

Do not use corrosive substances!! All our appliances are carefully controlled. Gas type, pressure and of the categories listed named on the technical information plate.

### **Liquid gas connection:**

Pressure for liquid gas connection must be 28 or 30 mbar for propane/butane and 37 mbar for propane. It is necessary to check the technical label ,gauge the pressure and check the parameters of the nozzle is installed with the required parameters of the nozzle according to the manufacturer's. If the pressure is lower than 25mbar or higher than 37 mbar, THE APPLIANCE SHALL NOT TO BE CONNECTED.

### **Gas Connection:**

Pressure for methane connection must be 18 or 20 mbar. It is necessary to check the technical label ,gauge the pressure and check the parameters of the nozzle is installed with the required parameters of the nozzle according to the manufacturer's. If the gas pressure is lower than 15mbar or higher than 22,5 mbar, THE APPLIANCE SHALL NOT TO BE CONNECTED.

## **Instructions for sucking off the gas products of combustion**

Type A devices (see the label with characteristics). Appliance of finish A, that is the appliance which is not made for being connected with the chimney or other device for sucking off the products of combustion out of the space where the appliance is situated. These appliances must be situated in the room with sufficient ventilation according to the ČSN 12 7010:1986 and ČSN 1207040:1986. It is necessary to prevent the accumulation of the harmful matters in big concentration (secure the requirement of hygienic standard for working surrounding sv. 39/78 guideline 46).



## **CHECK THE GAS TYPE THE DEVICE IS ADJUSTED FOR**

Check whether the device is set for the gas type you use. The gas type is indicated on the label of each device.

### **Process of rebuilding the device for another gas type**

The device is set and checked for liquefied gas (see the label). Rebuilding for another gas type must be done by qualified person. Nozzles are included in the packet with instructions for use.

### **Exchange of the main burner's nozzle: picture D**

Screw up and remove the bottom cover(1), screw up the nozzle and screw (2) in the new one for required gas type - see technical chart. You need not to regulate air feeder.

### **Important:**

After having rebuilt the gas type, change the data on the label.

### **How to check the operation of the device:**

- check the gas leaks
- check the ignition and flame of the main burner
- check the ignition and flame of the main burner for min. performance (sporo)
- check whether the flame of the burner licks the thermoelement and whether it is blue
- we recommend to the user when using the device to proceed according to the instructions for use

### **Regulation of the flame by the lower performance (sporo):**

Adjust the low performance (sporo) and then regulate the flame with screw which is situated in the body of the tap next to the tap shaft.

Process of regulation:

- remove the regulation tap knob (pull to yourself)
- there is slot for regulation next to the tap shaft
- regulate the flame with the small flat screwdriver

### **Maintenance:**

We recommend you to have the device checked once a year by professional service. Only qualified or competent persons can do interventions in the product.

### **It may be necessary to exchange some parts during the useful life of the device:**

piezzo electrode, sensor of the thermofuse

### **Exchange of the piezzo electrode or thermofuse sensor: picture D**

Screw up and remove the bottom cover (17), screw up the holder of the electrode and the sensor (26), disconnect and remove the electrode (27) or sensor (23). The fitting up of new part must be done in the contrary.

Our appliances are certified and regulated for natural gas (see the model name plate). Conversion or adaptation to another type of gas must be carried out only by an authorised technician. Nozzles for different types of gas are in a bag attached to the stove and are indicated in hundredths of mm.

To replace the nozzle of the main burner, you need to proceed as follows:

- 1) Turn the appliance upside down and dismantle the legs and bottom.
- 2) With a wrench size 12, remove the nozzles of the main burners and replace them with nozzles according to the Table (Fig.1).
- 3) Refit the bottom and the legs.

When replacing the pilot burner nozzles, you need to proceed as follows:

- 1) Dismantle the front panel (first you need to remove the large control knob and unscrew the drain lever).
- 2) Using size 10 wrench, unscrew the pilot torch inlet hose (Fig. 2).
- 3) Remove the nozzle and replace it with the nozzle shown in the table.

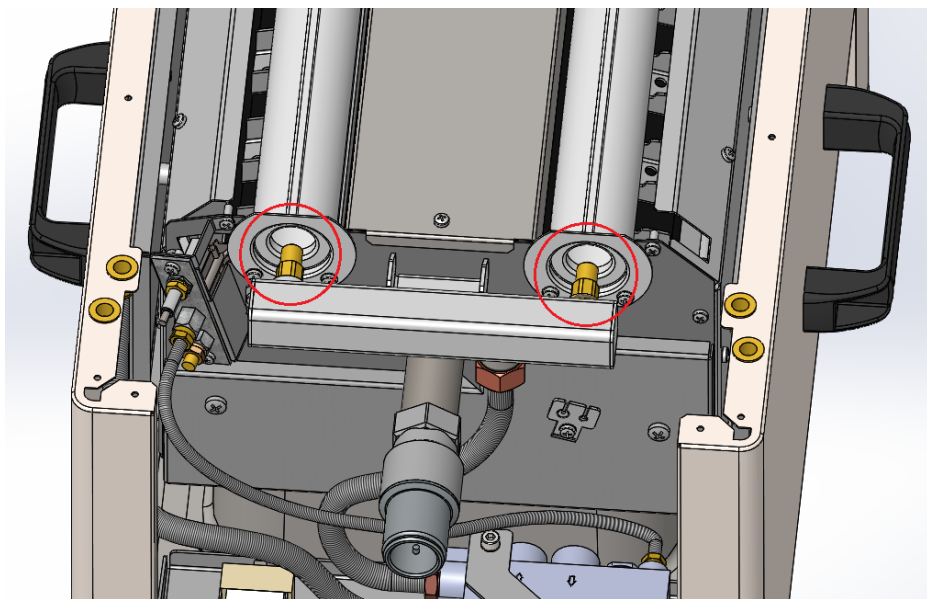


Fig. 1

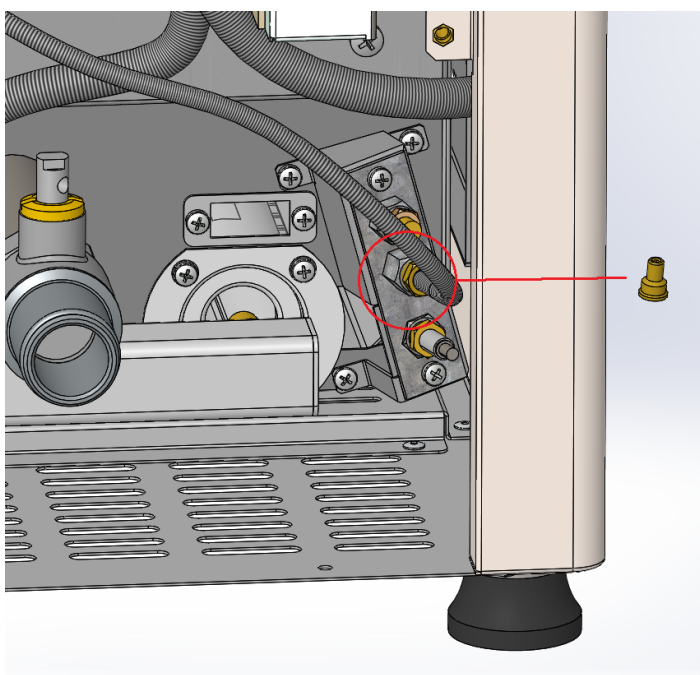


Fig. 2

## INSTRUCTION FOR USE

### Attention!

When the hot-plate smokes after the first switching it on it is necessary to leave the device on at least for an hour until the smoke disappears.

### Description of the control panel

Caution! Before using the appliance, it is necessary to remove the protective film from the entire surface, and then wash it well with water and dishwasher detergent, then wipe with a damp cloth. Never leave the appliance running unattended.

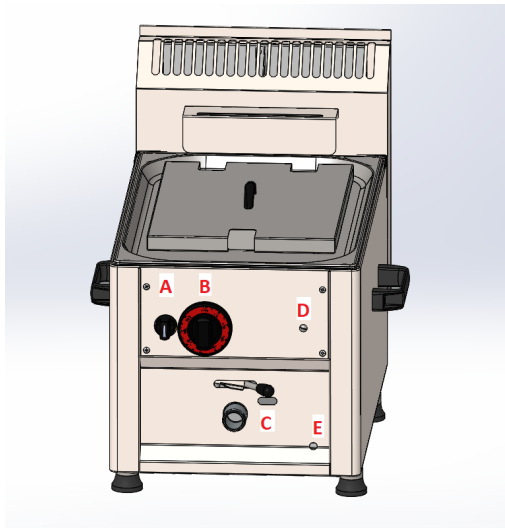
Never switch on the appliance without oil, or if the oil level is below the minimum mark. There is a risk of fire. If the oil is dirty or you use it for a long time, there is a risk of oil overflow.

### Ignition of the fryer:

For ignition, lightly press the left button (A). This will open the gas supply to the pilot burner. By turning the still pressed button to the left, start the piezo igniter. If the pilot torch does not start immediately, repeat the ignition by returning the knob (still pressed) to its original position and turning it to the left again. As soon as the pilot burner starts, hold the left button (A) pressed for at least 10 seconds to heat the thermal fuse. Then release the knob and turn it to the left to the extreme position to fully open the gas supply. The main burners are ignited. Using the right knob (B) with a scale is used to adjust the desired oil temperature.

### Turning off the fryer:

To turn the appliance off, turn the left button (A) to the right to the extreme position (so that the control stalk of the button is vertical). In doing so, you need to overcome the latch of the piezo igniter by lightly pressing the button.



- Ⓐ Gas/piezo igniter inlet knob
- Ⓑ Thermostat control knob
- Ⓒ Pilot flame inspection aperture
- Ⓓ Cover bolt, safety thermostat
- Ⓔ Hole for alternate ignition of skewers

The provided hanger for basket serves dripping of oil from fried food. The area in front of the frying pan is not intended for shaking the basket! The device must not be carried by the side handrails if it is in use or hot! There is a risk of injury!

In the appliance is installed without the base, it must not be put into operation without the feet installed!

## DRAINING THE TRAY

Empty the tray when the oil is cold. User must be equipped with a suitable container for draining the oil from the tray. The tray must be made of heat-resistant material and be built in such a way that the oil does not splash, thus causing danger. Install the drain pipe, remove the safety latch upwards against accidental opening and move the lever to the position with the open tap mark. In some types of fryers, oil is drained into a container located in the substructure. Turn the lever to the position indicating that the tap is open. Drain the tub when the oil is cold.

### Notes and tips

Constantly check the oil level, never use the appliance with no oil in it. Use the appliance only under supervision. Top up the oil to the maximum GN line which indicates the maximum amount. The fryer may overheat if the oil in the gastro container contains water.

## **CLEANING AND MAINTENANCE**

It is recommended to have the device checked by the professional service min. once a year. All interventions must be done by qualified person who is competent for this.

### **ATTENTION!**

The device cannot be cleaned by direct or pressure water. Clean it daily. Daily maintenance keeps longer useful life and efficiency of the device. Before cleaning make sure to have disconnected the device from electricity. Always switch off the main feeder to the device. Stain-less parts wash with moist cleaning cloth and detergent without groove parts than wash it with clean water and dry it by the cloth. Do not use abrasive and corrosive detergents.

### **WHAT TO DO IN CASE OF BREAK-DOWN**

Switch off the electric feeder and call seller's professional service.

### **INDICATION:**

Guarentee does not cover all consumption parts succumable to common wear (rubber seals, bulbs, glas and plastic parts etc.). The guarantee does not refer to the devices which were not instaled in correspondance with instructions - by qualified worker, in confirmity with standards and when somebody handled incompetently the device (interventions into inner equipment) or the device was operated by nonqualified staff or at variance with instructions for use. Guarantee does not also cover the damages caused due to influence of nature or other outer intervention.

## **Parts that will need to be replaced during the life of the product**

<b>Component</b>	<b>Code</b>
Thermocouple L-600mm M9x1 split	404050314
Gas valve GV30 100-190°C	404000428
Safety thermostat 235°C	402511000
Burner FE30 GL multigas	404000115
Pilot burner, pre-assembled	404000429

## DIE NORMENÜBEREINSTIMMUNGSDEKLARATION

Der Produzent erklärt, daß die Geräte in einer Übereinstimmung mit den Vorschriften der 2016/426/EU, 2014/35/EU, 2014/30/EU dem Gesetz Nr. 22/1997 sb., nr. 258/2000 sb., nr. 38/2001 sb. der Sammlung und zugehörigen Regierungsverordnungen stehen. Die Installation muss mit der Absicht auf geltende Normen durchgeführt werden. Vorsicht, im Falle einer direkten oder indirekten Beschädigung, die sich auf falsche Installation, unrichtigen Eingriff oder Anpassungen, ungenügende Instandhaltung, unrichtige Verwendung beziehen, und welche eventuell durch andere Ursachen, als in Punkten der Verkaufsbedingungen angeführt ist, so verzichtet der Importeur auf jegliche Verantwortung. Dieses Gerät ist nur für fachliche Verwendung bestimmt und muß durch qualifizierte Person bedient werden. Teile, die nach der Einstellung durch den Hersteller oder durch befugte Person gesichert wurden, dürfen vom Benutzer keineswegs umgestellt werden.

### DIE TECHNISCHEN DATEN

Das Schild mit technischen Angaben ist auf der Rückseite des Gerätes angebracht. Studieren sie vor der Installation das elektrische Schema der Einschließung und alle folgende Informationen durch.

Modell	Burner (kW)	Volumen (l)	Gewicht der Füllung auf dem Bad (kg)	Masse (kg)	ABMESSUNG (mm)
FE 30 GL	7	8	1	22	410x480x645

Prüfgas	G20	G20	G25	G27	G30	G30	G30	G31	G25.1	G2.350	G25
Prüfüberdruck (mbar)	20	25	25	20	30	37	50	37	25	13	20
Düsendurchmesser (mm)	1,25	1,20	1,25	1,40	0,87	0,80	0,80	0,87	1,30	1,70	1,35
Pilotdüsendurchmesser (mm)	0,27-2	0,27-2	0,27-2	0,27-2	0,30	0,30	0,30	0,30	0,27-2	0,27-2	0,27-2

**Teile, die vom Hersteller oder Servicetechniker bei der Installation eingestellt wurden, dürfen vom Bediener nicht neu eingestellt werden.**

**Die maximale und reduzierte Nennwärmeleistung in kW bezieht sich auf den Hi des verwendeten Gases.**

**Wenn das Gerät an Flüssiggas angeschlossen ist, muss sich die Gasflasche in einem ausreichend belüfteten Raum befinden.**

## Tabelle der Gase, für die das Produkt bestimmt ist

Version	Produktkategorien	Anschluss-Überdrücke[mbar]	Gebrauchtes Gas	Bestimmungsland
A1	I2E	20	G20	DE, NL, PL, RO
	I2ELL	20, 20	G20, G25	DE
	I2E+	20/25	G20/G25	BE, FR
	I2H	25	G20	HU
	I2H	20	G20	AT, BG, CH, CZ, DK, HR, EE, ES, FI, GB, GR, IE, IT, LT, LV, NO, PT, RO, SE, SI, SK, TR, LU, CY, FR
	I2L	25	G25	FR
	I2L	20	G25	RO
	I2Lw	20	G27	PL
	I3B/P	30	G30	BG, CY, CZ, DK, GB, HR, EE, FI, FR, GR, HU, IT, LT, LV, MT, NL, NO, RO, SE, SI, SK, TR
	I3B/P	37	G30	PL
	I3B/P	50	G30	AT, DE, CZ, CH, FR, SK
	I3P	37	G31	BE, CH, CZ, ES, GB, GR, IE, RO, SI, SK, FR, NL, PT, HR, IT, LT, PL, TR
	I3+	28-30/37	G30	BE, CH, CY, CZ, EE, ES, FR, GB, GR, IE, IT, LT, PT, SI, SK, TR
	II2E3B/P	20, 50	G20, G30	DE, PL, RO
	II2ELL-3B/P	20, 20, 50	G20, G25, G30	DE
	II2E+3+	20/25, 28-30/37	G20/G25, G30	BE, FR
	II2E+3P	20/25, 37	G20/G25, G31	BE, FR
	II2H3B/P	20, 30	G20, G30	BG, CZ, GB, DK, HR, EE, FI, GR, IT, LT, LV, NO, RO, SE, SI, SK, TR, CY, FR
	II2H3B/P	20, 50	G20, G30	AT, CH, CZ, FR, SK
	II2H3P	20, 37	G20, G31	CH, CZ, ES, GB, GR, IE, RO, SI, SK
	II2H3+	20, 28-30/37	G20, G30	CH, CY, CZ, EE, ES, GB, GR, IE, IT, LT, PT, SK, SI, TR
	II2L3B/P	25, 30	G25, G30	NL
	II2L3B/P	25, 50	G25, G30	NL
	II2L3B/P	20, 30	G25, G30	RO
	II2H-S3B/P	25, 25, 30	G20, G25.1, G30	HU

## **DIE VERPACKUNGS-, UND VORRICHTUNGSKONTROLLE**

Die Vorrichtung verlässt unsere Lager in ordentlicher Verpackung, auf deren die entsprechenden Symbole und Bezeichnungen stehen. In der Verpackung befindet sich entsprechende Bedienungsanweisung. Falls die Verpackung eine schlechte Behandlung oder Anzeichen der Beschädigungen vorweist, muß dieses sofort beim Transporteur reklamiert werden und zwar durch Unterzeichnung eines Schadensprotokolles.

**Das Produkt muss einmal im Jahr von einem professionellen Servicetechniker überprüft werden. Dabei sind vor allem die elektrische Verkabelung und die Funktionstüchtigkeit der Sicherheitseinrichtungen (Sicherheitsthermostate, Schütze usw.) zu überprüfen. Wird das Produkt nicht regelmäßig überprüft, lehnt der Hersteller jede Haftung für eventuelle Schäden ab.**

### **Wichtige Hinweise**

-Das Erzeugnis ist nur zur Verwendung im Innenraum bestimmt.

Verwenden Sie den Verbraucher nie, wenn die Speiseseite oder der Stecker beschädigt sind, das Gerät nicht richtig arbeitet, ist auf den Boden gefallen und hat sich beschädigt oder ist ins Wasser gefallen. Bringen Sie in solchen Fällen den Verbraucher zu einem Fach-Kundendienst zur Überprüfung seiner Sicherheit und richtiger Funktion.

- Nur für professionellen Verbrauch geeignet
- Diese Bedienungsanleitung muss ordentlich und bedächtig gelesen werden, weil sie wichtige Informationen über Sicherheitsmerkmale, Installation und Anwendung beinhaltet
- Diese Empfehlungen beziehen auf dieses Produkt
- Der Produkt entspricht geltenden Normen
- Diese Anleitung muß ordentlich für die zukünftige Verwendung hinterlegt werden
- Hindern Sie den Kinder an Vorrichtungsmannipulation
- Beim Verkauf oder Verlegung ist es notwendig sich zu überzeugen, daß die Bedienungsperson oder Fachservis sich mit der Beherrschung und Installationsanleitung in beiliegender Anleitung, anvertraut gemacht haben.
- Das Produkt darf nur eingeschulte Bedienung bedienen
- Das Produkt darf nicht ohne Aufsicht ins Betrieb gesetzt sein
- Es ist empfohlen, minimal einmal pro Jahr eine Fachkontrolle durchführen zu lassen
- Bei eventueller Reparatur der Teilenumtauschungen müssen ausschließlich Originalteile angewendet werden

### **DIE PLATZIERUNG**

Es ist unbedingt notwendig, zu der Regulation der Gerätetätigkeit, daß das Milieu - der Küche -, wo das Gerät installiert wird, sehr gut belüftbar ist (im Hinblick darauf: sei der Techniker sich mit geltenden Normen (EN) richtet). Wenn die Einrichtung so plaziert wird, daß sie im Mobiliarwandkontakt stehen wird, so müssen diese einer Temperatur von 90°C widerstehen. Die Installation, Herrichtung, Inbetriebnahme müssen durch qualifizierte Person, die zu solchen Vorkehrungen eine Befugnis hat und dies laut geltenden Normen nach, durchgeführt werden.

Packen Sie das Gerät aus und kontrollieren Sie, ob sich das Gerät während des Transportes nicht beschädigt hat. Platzieren Sie das Gerät auf eine waagrechte Fläche (maximale Unebenheit bis 2°). Stellen Sie das Gerät unter den Haubenabzug, damit Sie die Wasserdämpfe und den Geruch eliminieren. Das Gerät kann selbständig oder in einer Reihe mit Geräten unserer Herrstellung installiert werden. Es ist notwendig die minimale Entfernung von 10 cm zu anderen Gegenständen einzuhalten, so dass die Wärmeisolierung der brennbaren Teilen gewährleistet wird.

Das Gerät kann selbständig oder in einer Reihe mit Geräten unserer Herrstellung installiert werden. Es ist notwendig die minimale Entfernung von 10 cm zu anderen Gegenständen einzuhalten, so dass die Wärmeisolierung der brennbaren Teilen gewährleistet wird.



## INSTALLATION DES BEDARFSARTIKELS

Installation, Herrichtung, Umbau der Anlage auf anderen Gastyp und Setzung im Betrieb muss qualifizierte Person machen, die zu solchen Leistungen Erlaubnis nach gültigen Normen hat. Bedarfsartikel kann man nur in gut gelüfteten Räumen installieren, wenn es möglich ist, dann unter Dampfsauger. Luft nötig fürs Brenner ist 2m<sup>3</sup>/St/kW der Leistung der installierten Anlage. Das Gerät kann selbstständig oder in eine Serie von bei uns hergestellten Anlagen installiert werden. Es ist wichtig eine Mindestdistanz 10 cm von anderen Gegenständen einzuhalten und auch den Kontakt mit Brennstoffen vorbeugen. Anders ist es nötig entsprechende Herrichtungen zu machen dass die Thermoizolation versichert ist (z.B. zwischen das Gerät und Brennbarmaterial geben wir die azbeste Platte).

## DIE SICHERHEITSVORRICHTUNGEN AUS DER SICHT DES FEUERSCHUTZES LAUT EN. 061008 ČL. 21

Die Einrichtungsbedienung dürfen nur Erwachsene ausführen

- Das Gerät darf sicher in gewöhnlicher Umgebung laut EN 332000-4-482; EN 332000-4-42 verwendet werden.
- Es ist notwendig das Gerät so platzieren, daß es auf einer unbrennbaren Grundlage steht oder hängt.
- Es dürfen, auf und in eine Entfernung, die kleineremase als sicher vom Gerät bezeichnet wird, keine Gegenstände aus brennbaren Materilien (die kleinste Entfernung vom Brennbarem ist 10 cm) aufgestellt werden.
- Die sicheren Entfernungen von Massen der einzelnen Brenngra

### **Tabelle:**

Baumassefeuerbrenngrad ins Brenngrad (EN) der Massen und Produkte eingegliedert

A	Unbrennbar	Granit, Sandstein, beton, Ziegel, Keramikbekleidung, Putz
B	nicht einfach brennbar	Akumin, Heraklit, Lihnos, Itaver
C1	schwer brennbar	Holz, Laubbaum, Furnier Sirkoklit, Festpapier, Umakart
C2	mittel brennbar	Holzspanplatten, Solodur, Korkplatten, Hartgummi, Bodenbeläge
C3	leicht brennbar	Holzfasernplatten, Polystyren, Polyureten, PVC

Die Bedarfsartikel müssen sicher installiert werden und sind mit regulierenbaren Beinchen - zur Ausgleichen der Höhe und der Unebenheiten eingestattet.

Die Geräte müssen in einer sicheren Weise installiert werden. Bei der Installation müssen weiter betreffende Projekt-, Sicherheits-, und Hygienevorschriften respektiert werden.

- EN 06 1008 Feuerschutz der örtlichen Geräte und der Wärmquellen
- EN 33 2000 (33 2000-4-482; 33 2000-4-42) Umgebung für elektrische Geräte
- Gasversorgung -Gasleitunge in Gebäuden - Höchste Verkehrsdruck ≤ 5 BarVerkehrsansprüche,
- § 10 des Gesetzes Nr.185/2001 Sb., der Abfälle betrifft.



## **ROHR FÜR GASANSCHLÜSSEN**

Es muss zuerst feststellen, ob das Gerät für die gleiche Art von Gas, das verwendet werden soll, wird und entspricht damit den auf dem Etikett die Art des Gases verwendet werden.

Die Umwandlung von Gas Pfanne auf eine andere Gasart müssen Sie überprüfen, ob es auf die Art der Gas-Lager, die in diesem Handbuch empfohlen wird, entspricht.

Anschließen des Gerätes an die Gasversorgung muss Anhängelast auf einer Stahl-oder Kupferrohr Beachtung der geltenden nationalen Anforderungen. Dies muss regelmäßig kontrolliert werden und bei Bedarf geändert. Jedes Gerät muss mit Absperrventil und schnelle Absperrventil ausgestattet sein. Schnell-Absperrventil muss frei zugänglich sein und innerhalb der Reichweite des Gerätes. Nach der Installation ist zu prüfen, ob es ein Gas austritt. Um ein Gasleck Sie Seifenwasser oder Spray zur Lecksuche können zu finden.

Verwenden Sie keine ätzenden Stoffen! Alle unsere Geräte werden sorgfältig kontrolliert. Gasart, Druck und der Kategorien auf der technischen Informationen Platte benannt.

### **Flüssiggas-Anschluss:**

Der Druck für Flüssiggas-Verbindung muss 28 oder 30 mbar für Propan / Butan und 37 mbar für Propan sein. Es ist notwendig, um die technische Etikett überprüfen, messen den Druck und Kontrolle der Parameter der Düse wird mit den erforderlichen Parametern der Düse gemäß der Herstellerangaben installiert. Ist der Druck niedriger als 25mbar oder höher als 37 mbar, darf das Gerät nicht ANZUSCHLIESSEN.

### **Gas-Anschluss:**

Der Druck für die Methan-Anschluss muss 18 oder 20 mbar betragen. Es ist notwendig, um die technische Etikett überprüfen, messen den Druck und Kontrolle der Parameter der Düse wird mit den erforderlichen Parametern der Düse gemäß der Herstellerangaben installiert. Wenn der Gasdruck niedriger ist als 15 mbar oder höher als 22,5 mbar, darf das Gerät nicht ANZUSCHLIESSEN.

## **ANLEITUNG FÜR ABSAUGUNG DER ABGASE**

Geräte von Typ A (siehe Schild mit Charakteristiken).

Dieses Gerät ist nicht für Verbindung mit Raucherleitung oder mit anderem Gerät für Ausleitung der Abgase bestimmt. Dieses Gerät muss nur in ventilierten Räumem installier werden. Die Ventilation muss Normen EN127010:1986 und EN127040:1986 antworten. Indiesen Räumen verhindert man Anhäufung der gesundheitschädlichen Stoffen in unzulässige Konzentration (hygienische Vorschriften auf Arbeitsmilieu Bund 39/78 Richtlinie 46).

## **Kontrolle von Ansetzung an Gastyp**

Kontrollieren Sie bitte, ob das Gerät für den Gastyp, den Sie benützen, anpasst. Auf dem Schild jedes Gerätes ist der Gastyp geschrieben.

## **Anweisung für Umbau auf anderen Gastypen**

Die Geräte passen an Flüssiggas an (siehe Schild des Gerätes). Die Umbau auf anderen Gastyp muss ein qualifizierter Arbeiter machen. Die Düsen für anderen Gastyp finden Sie im Packung mit Enweisung.

## **Austausch von Hauptbrennerdüse: Bild D**

Schrauben Sie die Unterdeckung ab (21), schrauben Sie die Düse ab (23a).

Schrauben Sie neue Düse zu (siehe Tabelle mit technischen Daten). Luftzuführung des Hauptbrenners braucht keine Korrigierung.

### **Wichtig:**

Nach Umbau des Gerätes auf anderen Gastyp wechseln Sie bitte diese Angabe auch auf dem Schild des Gerätes.

## **Betriebskontrolle**

- kontrollieren Sie eventuelle Gasentweiche,
- kontrollieren Sie Anbrennung und Flamme des Hauptbrenners,
- kontrollieren Sie Flamme des Hauptbrenners auf min. Leistung (sporo-das ist ökonomisch ),
- versuchen Sie, ob Flamme des Brenners die Thermozelle ableckt und ob sie blau ist,
- wir empfehlen den Benützer bei Benützung des Gerätes nach dem Anweisung vorfahren.

## **Richtung der Flamme bei niedrigem Leistung**

Die Flamme bei der Ansetzung des Hahnes auf min. Leistung (sporo) richtet man mit dem Schraubchen, der sich im Hahnkörper neben der Hahnwelle befindet..

Nach Richtung vorfahren Sie folgendermassen:

- nehmen Sie Regulierknopf des Hahnes ab (ziehen Sie zu Ihnen)
- neben der Hahnwelle ist Loch für richten,
- mit Hilfe von einem kleinen flachen Schrauber richten Sie die Flamme.

## **Wartung**

Wir empfehlen mindestens einmal im Jahr das Gerät beim Fachservis kontrollieren zu lassen. Alle Angriffen kann nur qualifizierte Person machen, die dazu Erlaubnis hat.

Es ist wichtig einige Teilen auch während Lebensdauer des Gerätes austauschen:

piezzo Elektrode, Wächter der Thermosicherung.

## **Austausch von Piezoelektrode und Wächter der Thermosicherung: Bild D**

Unterdeckung abschrauben und runternehmen (17). Der Halter von piezzo Elektrode und Wächter abschrauben (26). Piezzo Elektrode oder Wächter abkoppeln und demontieren. Die Montage der neuen Teilen machen Sie im Gegenfolge.

## KONTROLLE DER EINSTELLUNG DES GERÄTS AUF DIE ENTSPRECHENDE GASART

Unsere Geräte sind für Erdgas zertifiziert und reguliert (siehe Typenschild). Ein Umbau oder eine Anpassung an eine andere Gasart darf nur von einem autorisierten Techniker durchgeführt werden. Die Düsen für verschiedene Gasarten befinden sich in einem dem Herd beigelegten Beutel und sind in Hundertstel mm markiert.

Beim Austausch der Düse des Hauptbrenners ist folgenderweise vorzugehen:

- 1) Wenden Sie das Gerät mit dem Boden nach oben um und entfernen Sie Beine und den Boden.
- 2) Entfernen Sie die Düsen der Hauptbrenner mit einem Schraubenschlüssel der Größe 12 und ersetzen Sie diese gemäß Tabelle (Abb. 1).
- 3) Wenden Sie das Gerät mit dem Boden wieder zurück auf die Beine um.

Beim Austausch der Düse des Pilotbrenners ist folgenderweise vorzugehen:

- 1) Demontieren Sie die Frontplatte (zuerst muss der große Bedienknopf entfernt und der Hebel des Ablasses abgeschraubt werden).
- 2) Schrauben Sie den Pilotbrenner-Versorgungsschlauch mit einem Schraubenschlüssel der Größe 10 ab (Abb. 2).
- 3) Entfernen Sie die Düse und ersetzen Sie sie durch die Düse gemäß Tabelle.

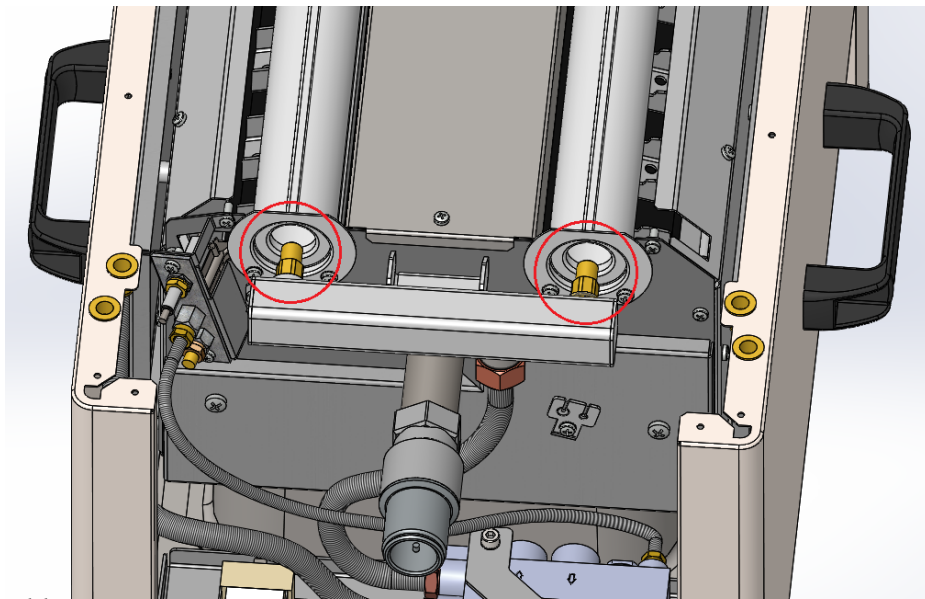


Abb. 1

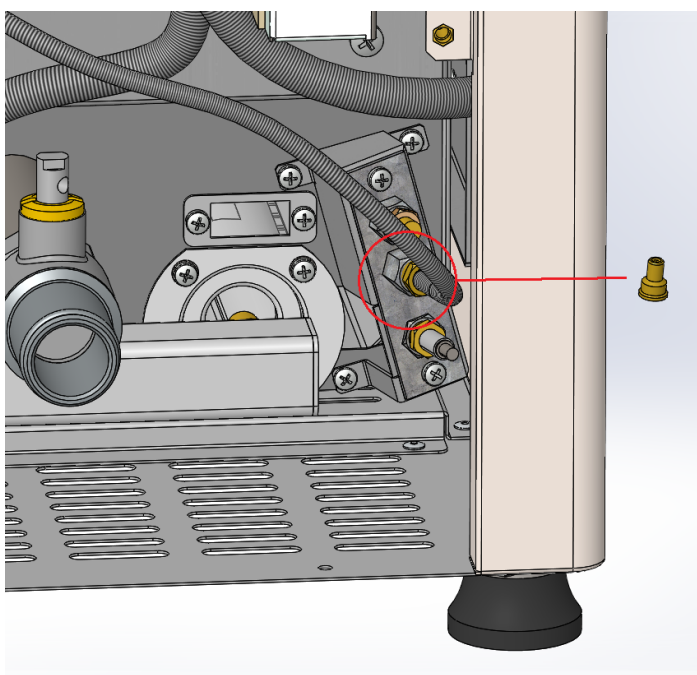


Abb. 2

## Gebrauchsanweisung

### Beschreibung des Bedienfelds

Achtung! Vor der Verwendung des Geräts müssen die Schutzfolien von der gesamten Oberfläche entfernt, danach gut mit Wasser und Reinigungsmittel gewaschen und anschließend mit einem feuchten Tuch abgewischt sein. Lassen Sie das Gerät niemals unbeaufsichtigt im Betrieb.

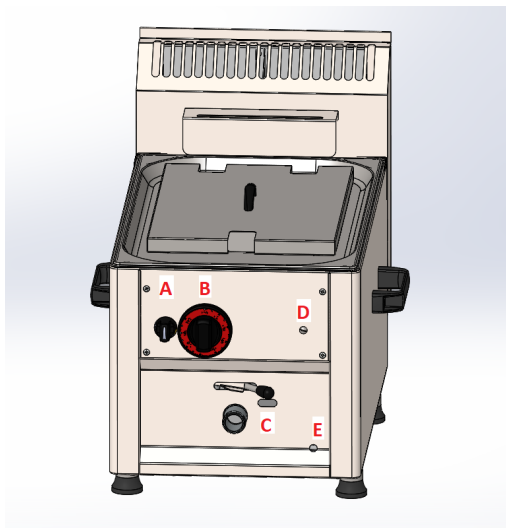
Schalten Sie das Gerät niemals ohne Öl ein. Wenn der Ölstand unter der Mindestmarke liegt, besteht die Brandgefahr. Wenn das Öl verschmutzt ist oder längere Zeit verwendet wird, besteht die Gefahr, dass das Öl überläuft.

### Entzünden der Fritteuse:

Zum Zünden der Fritteuse drücken Sie leicht die linke Taste (A). Mit dem Drücken wird die Gasversorgung zum Pilotbrenner geöffnet. Durch ein leichtes Drehen des gedrückten Knopfes nach links wird das Piezo-Feuerteil gerieben. Wenn der Zündbrenner nicht sofort aktiviert wird, kann dieser Schnitt wiederholt werden, indem der Knopf (immer noch gedrückt) in seine ursprüngliche Position zurückgebracht und wieder nach links gedreht wird. In dem Moment, in dem der Pilotbrenner entzündet, halten Sie die linke Taste (A) mindestens weitere 10 Sekunden gedrückt, um die Thermosicherung zu erwärmen. Dann können Sie den Knopf mit einem leichten Drehen nach links bis zur Außenposition entlasten und die Gasversorgung voll öffnen. Jetzt entzünden sich die Hauptbrenner. Verwenden Sie den rechten Knopf (B) mit der Skala, um die gewünschte Öltemperatur zu regulieren.

### Ausschalten der Fritteuse:

Um das Gerät auszuschalten, drehen Sie den linken Knopf (A) nach rechts in die Außenposition (vertikal liegende Stopp-Position des Knopfes), dabei müssen Sie die Verriegelung des Piezo-Feuerteils durch ein leichtes Drücken des Knopfes überwinden.



(A) Knopf der Gasversorgung/Piezo-Feuerteils

(B) Thermostat-Steuerknopf

(C) Schauöffnung für die Kontrolle des Pilotflamms

(D) Abdeckschraube des Sicherheitsthermostats

(E) Öffnung für alternative Zündung der Spieße

Für das Abtropfen des Öls vom frittierten Lebensmittel dient ein Hängebügel. Der Bereich vor dem Frittier-Behälter ist nicht zum Abtropfen vom Korb vorgesehen! Das Gerät darf nicht an den Seitengriffen getragen werden, wenn es in Betrieb oder heiß ist! Es droht die Verletzungsgefahr!

Wenn das Gerät ohne Sockel installiert wird, darf es nicht ohne montierte Füße in Betrieb genommen werden!

## AUSLASSEN DER WANNE

Gießen Sie die Wanne aus, wenn das Öl kalt ist. Dem Benutzer muss ein geeigneter Behälter zum Ölablassen aus der Wanne zur Verfügung stehen. Dieser Behälter muss aus einem hitzebeständigen Material bestehen und so konstruiert sein, dass das Öl nicht spritzt und keine Gefahr verursacht. Jetzt das Abflusrohr aufsetzen, die Sicherheitsvorrichtung gegen unbeabsichtigtes Öffnen in der Richtung nach oben entfernen und den Hebel in die mit offenem Hahn gekennzeichnete Position bringen. Bei einigen Typen von Fritteusen wird das Öl in einen Behälter im Unterbau abgelassen. Drehen Sie den Hebel in die Position, die mit dem geöffneten Wasserhahn markiert ist.

Lassen Sie die Wanne nur dann ab, wenn das Öl kalt ist.

## Anmerkungen und Empfehlungen

Kontrollieren Sie immer den Ölstand, das Gerät darf niemals ohne Öl verwendet werden. Das Gerät darf nur unter Aufsicht verwendet werden. Das Öl darf maximal bis zu dem GN-Strich nachgefüllt werden, der die maximale Menge angibt. Die Fritteuse kann überlaufen, wenn das Öl im Gastrobehälter Wasser enthält.

## **DIE REINIGUNG UND INSTANDSHALTUNG**

ACHTUNG! Die Einrichtung darf nicht mit Direkt-, oder Druckwasserstrahl gereinigt werden. Reinigen Sie das Gerät täglich. Die Lebensdauer und Gerätewirkung wird durch die tägliche Wartung gewährleistet. Überzeugen Sie sich, vorm Reinigungsanfang, dass Sie die Einrichtung vom Elektrostrom abgeschaltet haben. Schalten Sie immer die Gerätehauptzufuhr ab. Waschen Sie die Edelstahlteile mit feuchtem Waschlappen, der im Waschpulver getauft ist und keine grobe Teilchen aufweist. Wischen Sie alles ins Trockene ab. Verwenden Sie keine abrasive- oder korrosionsreiche Reinigungsmitteln.

### **WIE MAN IM FALLE EINER STÖRUNG VORANGEHEN SOLL**

Schalten sie die elektrische Stromleitung ab und rufen die Serviceorganisation des Verkäufers an.

### **HINWEIS**

Die Garantie bezieht sich nicht auf alle Verbrauchsteile, die der geläufiger Abnutzung unterstehen (gesamte Gummidichtungen, Glühlampen, alle glasernde und plastische Teile, usw.). Die Garantie bezieht sich nicht weiterhin auf Einrichtungen, die durch befugte Person laut Anweisung und entsprechender Normen nicht installiert worden sind und wenn mit dem Gerät unfachmännisch manipuliert wurde (Eingriffe ins Innere) und auf Beschädigungen durch Natureinflüsse oder Ausseneingriffe.

## **Teile, die während der Lebensdauer des Produkts ersetzt werden müssen**

<b>Komponente</b>	<b>Code</b>
Thermoelement L-600mm M9x1 Geteilt	404050314
Gasventil GV30 100-190°C	404000428
Sicherheitsthermostat 235°C	402511000
Brenner FE30 GL multigas	404000115
Zündbrenner, vormontiert	404000429

## DÉCLARATION DE CONFORMITÉ

Le fabricant certifie la conformité des appareils aux normes 2016/426/EU; 2014/35/EU; 2014/30/EU à la loi n° 22/1997 sb., 258/2000 sb., 38/2001 sb., 118/2016 sb., 117/2016 sb. et aux décrets applicables. L'installation doit être effectuée dans le respect des normes en vigueur. Attention: le fabricant décline toute responsabilité en cas de dommages, directs ou indirects, causés par une mauvaise installation, par une utilisation, des interventions ou des modifications impropres, par un entretien insuffisant, ainsi qu'en cas de dommages dérivant des causes mentionnées dans les conditions de vente. L'appareil objet de la présente notice est prévu pour un usage professionnel, aussi son utilisation doit-elle être confiée à un personnel possédant les compétences nécessaires à cet effet. L'utilisateur ne doit procéder à aucune intervention ni à aucune modification sur les parties réglées et protégées par le fabricant ou autre personnel autorisé à cet effet.

### CARACTÉRISTIQUES TECHNIQUES

L'étiquette sur laquelle figurent les caractéristiques techniques est apposée sur la partie postérieure de l'appareil. Avant de procéder à l'installation, prendre connaissance du schéma électrique et de toutes les informations que contient la présente notice.

modèle	brûleur (kW)	le volume (l)		Poids de la garniture sur le bain (kg)				Masse (kg)	Dimension (mm)		
FE 30 GL	7	8		1				22	410x480x645		
gaz d'essai	G20	G20	G25	G27	G30	G30	G30	G31	G25.1	G2.350	G25
surpression d'essai (mbar)	20	25	25	20	30	37	50	37	25	13	20
diamètre de la buse (mm)	1,25	1,20	1,25	1,40	0,87	0,80	0,80	0,87	1,30	1,70	1,35
diamètre de la buse pilote (mm)	0,27-2	0,27-2	0,27-2	0,27-2	0,30	0,30	0,30	0,30	0,27-2	0,27-2	0,27-2

**Les pièces qui ont été réglées par le fabricant ou le technicien lors de l'installation ne doivent pas être réglées à nouveau par l'opérateur.**

**Les puissances calorifiques maximales et réduites en kW dépendent de la température du gaz utilisé.**

**Si le produit est raccordé au GPL, la bouteille de gaz doit se trouver dans une pièce suffisamment ventilée.**

## Tableau des gaz pour lesquels le produit est destiné

Version	Catégories de produits	Surpressions de raccordement[mbar]	Gaz usagé	Pays de destination
A1	I2E	20	G20	DE, NL, PL, RO
	I2ELL	20, 20	G20, G25	DE
	I2E+	20/25	G20/G25	BE, FR
	I2H	25	G20	HU
	I2H	20	G20	AT, BG, CH, CZ, DK, HR, EE, ES, FI, GB, GR, IE, IT, LT, LV, NO, PT, RO, SE, SI, SK, TR, LU, CY, FR
	I2L	25	G25	FR
	I2L	20	G25	RO
	I2Lw	20	G27	PL
	I3B/P	30	G30	BG, CY, CZ, DK, GB, HR, EE, FI, FR, GR, HU, IT, LT, LV, MT,NL, NO, RO, SE, SI, SK, TR
	I3B/P	37	G30	PL
	I3B/P	50	G30	AT, DE, CZ, CH, FR, SK
	I3P	37	G31	BE, CH, CZ, ES, GB, GR, IE, RO, SI, SK, FR, NL, PT, HR, IT, LT, PL, TR
	I3+	28-30/37	G30	BE, CH, CY, CZ, EE, ES, FR, GB, GR, IE, IT, LT, PT, SI, SK, TR
	II2E3B/P	20, 50	G20, G30	DE, PL, RO
	II2ELL-3B/P	20, 20, 50	G20, G25, G30	DE
	II2E+3+	20/25, 28-30/37	G20/G25, G30	BE, FR
	II2E+3P	20/25, 37	G20/G25, G31	BE, FR
	II2H3B/P	20, 30	G20, G30	BG, CZ, GB, DK, HR, EE, FI, GR, IT, LT, LV, NO, RO, SE, SI, SK, TR, CY, FR
	II2H3B/P	20, 50	G20, G30	AT, CH, CZ, FR, SK
	II2H3P	20, 37	G20, G31	CH, CZ, ES, GB, GR, IE, RO, SI, SK
	II2H3+	20, 28-30/37	G20, G30	CH, CY, CZ, EE, ES, GB, GR, IE, IT, LT, PT, SK, SI, TR
	II2L3B/P	25, 30	G25, G30	NL
	II2L3B/P	25, 50	G25, G30	NL
	II2L3B/P	20, 30	G25, G30	RO
II2HS3B/P	25, 25, 30	G20, G25.1, G30	HU	



## CONTROLE DE L'EMBALLAGE ET DE L'APPAREIL

En vue de son transport, l'appareil quitte les établissements du fabricant parfaitement emballé (sur l'emballage sont apposés les étiquettes et les symboles nécessaires à cet effet). L'emballage contient également la notice des instructions d'utilisation. Dans le cas où l'emballage présenterait des dommages ainsi que dans le cas où il s'avérerait qu'il a été manipulé sans les précautions nécessaires, il est impératif d'adresser sans attendre une déclaration au transporteur en y joignant une acceptation de la marchandise sous réserve.

**Le produit doit être inspecté une fois par an par un technicien professionnel. Les principaux éléments à vérifier sont le câblage électrique et le bon fonctionnement des dispositifs de sécurité (thermostats de sécurité, contacteurs, etc.). Si le produit n'est pas contrôlé à intervalles réguliers, le fabricant décline toute responsabilité pour les dommages éventuels.**

### Recommandation importante:

-Le produit est destiné uniquement à un usage intérieur.

N'utilisez jamais cet appareil si le cordon ou la fiche sont endommagés, si l'appareil fait défaut, s'il a été échappé ou endommagé ou immergé. Dans ce cas, retournez cet appareil au centre service autorisé pour examen.

- Pour usage professionnel seulement
- La présente notice des instructions d'utilisation et d'entretien contient d'importantes informations relatives à la sécurité, à l'installation et à l'utilisation; il est nécessaire d'en effectuer attentivement la lecture.
- Les recommandations se réfèrent à l'appareil objet de la présent notice.
- L'appareil est conforme aux normes en vigueur.
- Veiller à bien conserver la notice de telle sorte qu'elle puisse être consultée à tout moment en cas de besoin.
- Ne pas laisser des enfants s'approcher de l'appareil durant son utilisation.
- Pendant la vente ou après le déménagement de l'appareil vérifier que le personnel lise attentivement la présente notice d'utilisation
- L'appareil ne peut être utilisé que par le personnel instruit
- L'appareil ne peut être laissé en marche sans surveillance
- Il est recommandé de faire l'appareil contrôler au moins une fois par an dans un service spécialisé
- Ne pas utiliser que des pièces détachées originelles.
- En cas de défaut ou de mauvaise fonction, débrancher l'appareil (eau, gaz, électricité) et appeler un service spécialisé
- Le fabricant décline toute responsabilité en cas de dommages, directs ou indirects, causés par une mauvaise installation, utilisation, etc

## LA LOCATION

Le local dans lequel l'appareil est installé doit être bien ventilé. Si l'appareil doit toucher le parois, celui-ci doit résister à la chaleur de 90°C au minimum. L'installation, le réglage et la mise en marche doivent être effectués par une personne qualifiée ayant une autorisation nécessaire selon les normes en vigueur.

Déballez l'appareil et vérifiez s'il n'était pas endommagé pendant le transport. Placez l'appareil sur une surface horizontale (pente maximale de 2°). Placez l'appareil sous une hotte pour éliminer la vapeur et mauvaise odeur.

L'appareil peut être installé seul ou en série avec d'autres appareils de notre fabrication. Il faut respecter la distance minimale de 10 cm entre l'appareil et d'autres objets ainsi qu'éviter le contact avec les matériaux inflammables. Dans ce cas il faut prévoir les arrangements nécessaires pour assurer la protection des parties inflammables.



## **INSTALLATION :**

Installation, réglage et adaptation à l'autre type de gaz ainsi que la mise en service peuvent être faits seulement par une personne instruite, ayant l'autorisation à ce type d'opérations et seulement selon les normes en vigueur. L'appareil doit être placé dans un espace bien aéré, sous une hotte si possible, pour garantir le tirage des gaz de combustion. L'appareil a besoin de 2 m<sup>3</sup> d'air sur 1h et 1kW de puissance.

L'appareil peut être installé seul ou en série avec d'autres appareils de notre fabrication. Il faut respecter la distance minimale de 10 cm entre l'appareil et d'autres objets ainsi qu'éviter le contact avec les matériaux inflammables. Dans ce cas il faut prévoir les arrangements nécessaires pour assurer la protection des parties inflammables.

## **MÉSURES DE SÉCURITÉ POUR LA PROTECTION CONTRE INCENDIE SELON EN 06 1008 ARTICLE 21:**

- l'appareil ne peut être utilisé que par des personnes majeures
- l'appareil peut être utilisé dans un espace ordinaire selon EN 332000-4-482; 332000-4-42
- l'appareil doit être placé ou suspendu d'une manière stable sur une surface ininflammable

Il est interdit de placer sur l'appareil ou dans la distance inférieure à 10 cm de l'appareil des objets inflammables.

- les distances de sécurité pour les matériaux inflammables selon leurs degré d'inflammabilité et les informations sur l'inflammabilité des matériaux de construction – voir le tableau

### **Tableau:**

degré d'inflammabilité d'un matériel de construction (EN 730823)

A ininflammables	granit, grès, béton, briques, carrelage céramique, enduit
B difficilement inflammables	acumin, héraclite, lihnos, itaver
C1 mal inflammables	bois des arbres feuillus, contre-plaqué, papier durci, umakart
C2 inflammabilité moyenne	aggloméré, solodur, liège, caoutchouc, revêtements
C3 inflammabilité facile	planches de fibre de bois, polystyrène, polyurethane, PVC

L'appareil doit être installé d'une manière sûre. Pour l'ajustage de l'appareil est ce-ci procuré des pieds réglables.

- EN 06 1008 protection contre incendie des consommateurs d'énergie locaux et des émetteurs de chaleur
- EN 33 2000 (33 2000-4-482; 33 2000-4-42) le milieu pour les appareil électriques

## **Tuyau d'amenée du gaz:**

Le gaz doit être amené par le tuyau en inox zinguée, en cuivre ou par un tuyau flexible en inox, selon les normes en vigueur. Chaque appareil doit avoir un robinet pour arrêter l'amenée du gaz facilement. Après l'installation, il faut vérifier les fuites du gaz possibles. Ne jamais vérifier à l'aide du feu ouvert, ne pas utiliser les produits corrosifs. On peut utiliser p.e. l'eau au savon. L'appareil a été contrôlé par le fabricant, les données sur le type de gaz, la pression et sur le type de l'appareil sont mentionnées sur l'étiquette.

## **Tirage des gaz de combustion**

L'appareil du type A (voir l'étiquette)

Les appareils du type A (donc les appareils pas reliés avec une cheminée) doivent être installés dans les locaux bien aérés selon les normes en vigueur, pour prévenir la cumulation des substances nuisantes à la santé dans les concentrations dangereuses.

## **TUYAU D'AMENÉE DU GAZ**

Il faut d'abord déterminer si l'appareil est fait pour le même type de gaz qui sera utilisé et est donc conforme aux indications figurant sur l'étiquette du type de gaz utilisé.

La conversion de la poêle à gaz à un autre type de gaz, vous devez vérifier si elle correspond au type de palier à gaz, ce qui est recommandé dans ce guide.

Connexion de l'appareil à la distribution de gaz doit être tractable à un tube d'acier ou de cuivre se conformer aux exigences applicables nationales. Ce doit être contrôlée sur une base régulière et changé si nécessaire. Chaque appareil doit être équipé d'un robinet d'arrêt et rapide robinet d'arrêt. Rapide robinet d'arrêt doit être librement accessible et à portée de main de l'appareil. Après l'installation, est nécessaire pour vérifier s'il ya une fuite de gaz. Pour trouver une fuite de gaz, vous pouvez utiliser de l'eau savonneuse ou un spray pour la détection de fuite de gaz.

Ne pas utiliser de substances corrosives! Tous nos appareils sont soigneusement contrôlés. Type de gaz, la pression et des catégories énumérées le nom figure sur la plaque de l'information technique.

Raccordement au gaz liquide:

La pression de gaz pour le raccordement de liquide doit être 28 ou 30 mbar pour le propane / butane et 37 mbar pour le propane. Il est nécessaire de vérifier l'étiquette technique, d'évaluer la pression et vérifier les paramètres de la buse est installé avec les paramètres requis de la buse selon les indications du fabricant. Si la pression est inférieure à 25mbar ou supérieure à 37 mbar, l'appareil doit ne pas être connecté.

Raccordement au gaz:

Pression pour la connexion du méthane doit être 18 ou 20 mbar. Il est nécessaire de vérifier l'étiquette technique, d'évaluer la pression et vérifier les paramètres de la buse est installé avec les paramètres requis de la buse selon les indications du fabricant. Si la pression du gaz est inférieure à 15mbar ou supérieur à 22,5 mbar, l'appareil doit ne pas être connecté.

## CONTRÔLE DE L'AJUSTEMENT DE L'APPAREIL AU TYPE DE GAZ

Nos appareils sont certifiés et réglés pour le gaz naturel (voir la plaque signalétique). La conversion ou l'adaptation à un autre type de gaz ne doivent être effectuées que par un technicien certifié. Les buses pour les différents types de gaz sont livrées dans un sachet qui accompagne la cuisinière à gaz. Leur diamètre, exprimé en centièmes de millimètre, est indiqué sur le corps de chaque buse.

Lors du remplacement de la buse du brûleur principal, il faut procéder comme suit :

- 1) Mettez l'appareil sens dessus-dessous et démontez les pieds et le fond
- 2) À l'aide de la clé taille 12, démontez les buses des brûleurs principaux et remplacez-les par les buses selon le tableau (Fig. 1)
- 3) Remontez les pieds et le fond

Lors du remplacement de la buse du brûleur pilote, il faut procéder comme suit :

- 1) Démontez la paroi frontale (d'abord, il faut enlever le grand bouton de commande et dévisser le levier de décharge)
- 2) À l'aide de la clé taille 10, dévissez le tuyau flexible d'alimentation du brûleur pilote (Fig. 2)
- 3) Sortez la buse et remplacez-la par une buse selon le tableau

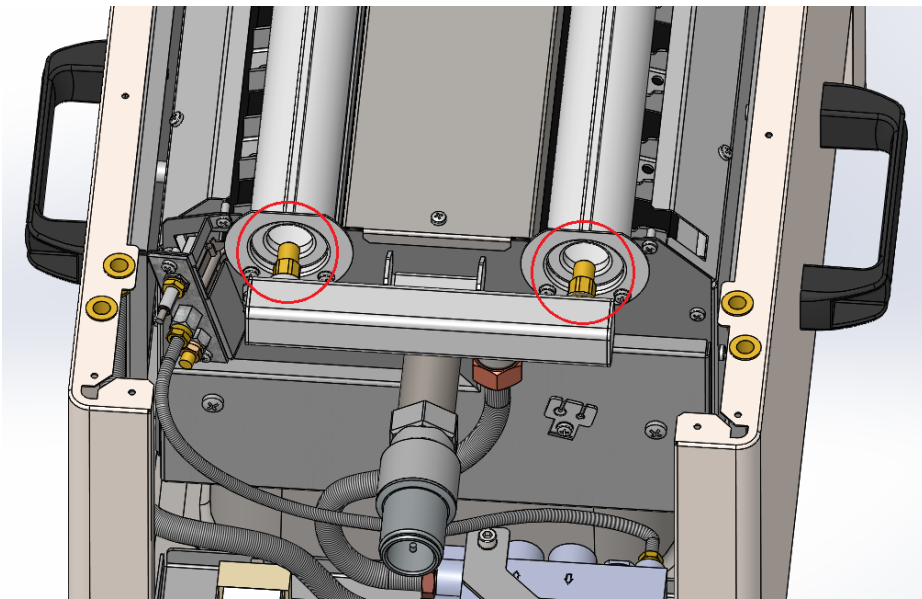


Fig. 1

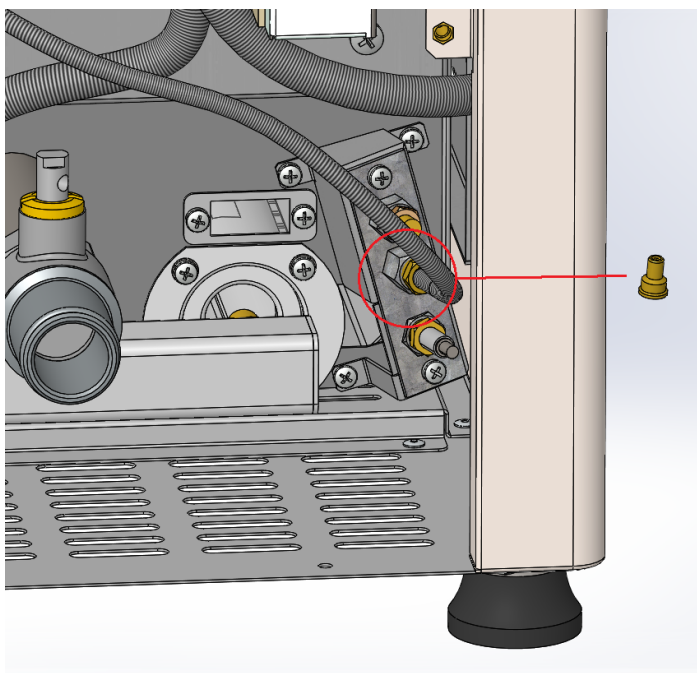


Fig 2

## Notice d'utilisation

### Description du panneau de commande

Attention ! Avant d'utiliser l'appareil, il est nécessaire d'enlever les feuilles de protection de la surface entière. Puis, lavez l'appareil avec de l'eau et du détergent vaisselle. Enfin, essuyez-le avec un chiffon humide. Ne laissez jamais l'appareil en marche sans surveillance.

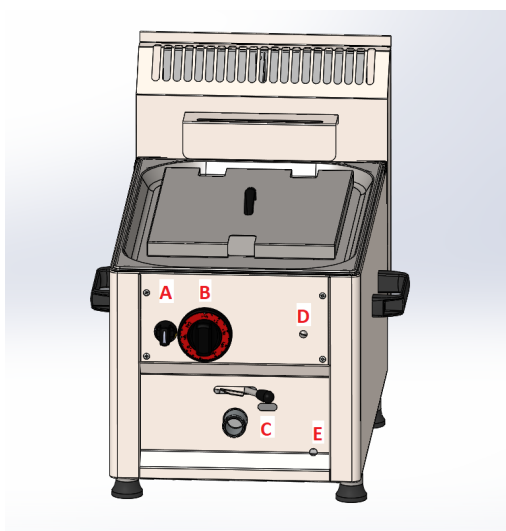
N'allumez jamais l'appareil sans huile ou si le niveau d'huile se trouve sous le repère minimum - il y a un danger d'incendie. Si l'huile est encrassée ou usagée, elle peut mousser et déborder.

### Allumage de la friteuse :

Pour allumer, appuyez légèrement sur le bouton gauche (A). Ainsi, vous ouvrez l'alimentation en gaz du brûleur pilote. En tournant le bouton toujours enfoncé à gauche, allumez le brûleur pilote. Si le brûleur pilote ne s'allume pas tout de suite, vous pouvez répéter l'action en revenant le bouton (toujours enfoncé) à la position d'origine et en tournant de nouveau à gauche. Au moment où le brûleur s'allume, maintenez le bouton gauche (A) enfoncé pendant au moins 10 secondes afin que le fusible thermique se réchauffe. Puis, vous pouvez relâcher le bouton et ouvrir la fourniture de gaz en tournant le bouton à gauche jusqu'à la position extrême. Les brûleurs principaux s'allument. À l'aide du bouton droit (B) muni d'une échelle, réglez la température de l'huile désirée.

### Arrêt de la friteuse :

Pour arrêter la friteuse, tournez le bouton gauche (A) à droite jusqu'à la position extrême (de telle manière que le repère de commande du bouton soit verticalement). Pendant cela, il est nécessaire de franchir le loquet de l'allumeur piézoélectrique en appuyant légèrement sur le bouton.



(A) Bouton de gaz/d'allumage piézoélectrique

(B) Bouton de commande du thermostat

(C) Regard de contrôle de la flamme pilote

(D) Vis de protection du thermostat de sûreté

(E) Orifice pour allumage manuel

La suspension de panier sert à égoutter le surplus d'huile de l'aliment frit. La surface devant le récipient à frire n'est pas destinée à secouer le panier ! Ne transportez pas l'appareil en le saisissant par ses poignées latérales dans le cas où il est en marche ou chauffé ! Il existe un risque d'accident !

Si l'appareil est installé sans soubassement, il ne doit pas être mis en service sans pieds montés !

## VIDAGE DE LA CUVE

Ne videz la cuve qu'au moment où l'huile est froide. L'utilisateur doit se procurer d'un bac pour récupérer l'huile vidangée. Ce bac doit être en matériau résistant à la chaleur et doit être situé de telle manière que l'huile ne jaillisse pas et ainsi ne provoque pas de danger. Installez le tube d'écoulement, enlevez la protection contre l'ouverture non désirée vers le haut et mettez le levier en position avec symbole de robinet ouvert. Pour certains types de friteuses, l'huile s'écoule dans un bac situé dans le soubassement. Tournez le levier à la position avec symbole de robinet ouvert. Ne videz la cuve qu'au moment où l'huile est froide.

## Remarques et recommandations

Contrôlez sans cesse le niveau d'huile, n'utilisez jamais l'appareil sans huile. N'utilisez l'appareil que sous la surveillance. Faites l'appoint d'huile jusqu'au repère GN qui indique la quantité maximale. L'huile de la friteuse peut mousser et déborder si votre huile de friture contient trop d'eau.

## NETTOYAGE ET ENTRETIEN

Il est recommandé de faire contrôler l'appareil dans un service spécialisé au moins une fois par an. Toutes les interventions peuvent être effectuées seulement par une personne qualifiée ayant une autorisation pour ces interventions.

ATTENTION ! L'appareil ne peut pas être nettoyé sous l'eau courante ou de pression. Nettoyer l'appareil chaque jour. Nettoyage quotidien prolonge la vie et le fonctionnement de l'appareil. Avant le nettoyage vérifier, si l'appareil est débranché. Toujours débrancher l'alimentation principale. Les pièces en inox nettoyer à l'aide d'un torchon humide et un détergent sans particules abrasives, rincer, sécher. Ne jamais utiliser les produits abrasifs ou corrosifs.

### Comment procéder en cas de panne de l'appareil

Débrancher l'appareil et appeler le service spécialisé.

### AVERTISSEMENT:

La garantie ne concerne pas les bourrelets en caoutchouc, bulbes, parties en verre et en plastique. Elle ne concerne également pas tout l'appareil si l'installation n'a pas été effectuée par une personne qualifiée, selon le mode d'installation ou selon les normes en vigueur ou si l'appareil n'a pas été utilisé selon le mode d'emploi, s'il y avait des interventions nonprofessionnelles (interventions à l'intérieur de l'appareil). La garantie ne concerne pas les endommagements causés par la pluie, vent, etc.

## Les pièces qui devront être remplacées pendant la durée de vie du produit

Composant	Code
Thermocouple L-600mm M9x1 Divisé	404050314
Vanne de gaz GV30 100-190°C	404000428
Thermostat de sécurité 235°C	402511000
brûleur FE30 GL multigas	404000115
Brûleur pilote, pré-assemblé	404000429

## VERKLARING VAN NORMCONFORMITEIT

De producent bevestigt dat de apparaten voldoen aan de normen 2016/426/EU, 2014/35/EU, 2014/30/EU, regel nr. 22/1997 sb., 258/2000 sb, 38/2001 sb, 118/2016 sb., 117/2016 sb. en aan relevante overheidsbesluiten. De installatie moet worden uitgevoerd met inachtneming van de geldende normen. Opgelet, de producent wijst elke verantwoordelijkheid af in geval van directe of indirecte schade die het gevolg is van een verkeerde installatie, een verkeerde ingreep of wijziging, onvoldoende onderhoud, verkeerd gebruik en mogelijk ook veroorzaakt door andere redenen die in de verkoopvoorwaarden worden vermeld. Dit apparaat is uitsluitend bestemd voor vakkundig gebruik en mag alleen worden bediend door gekwalificeerde personen. Onderdelen die door de producent of een erkend persoon zijn ingesteld en beveiligd, mogen niet door de gebruiker worden gereviseerd.

### TECHNISCHE GEGEVENS

Het etiket met technische gegevens bevindt zich op de achterkant van het apparaat. Bestudeer het elektrische aansluitschema en alle volgende informatie voordat u het apparaat installeert.

Model	Brander (kW)	inhoud (l)	gewicht van de vulling op het bad (kg)	apparaat gewicht (kg)	Dimensies (mm)
FE 30 GL	7	8	1	22	410x480x645

testgas	G20	G20	G25	G27	G30	G30	G30	G31	G25.1	G2.350	G25
testoverdruk (mbar)	20	25	25	20	30	37	50	37	25	13	20
mondstukdiameter (mm)	1,25	1,20	1,25	1,40	0,87	0,80	0,80	0,87	1,30	1,70	1,35
diameter stuurmondstuk (mm)	0,27-2	0,27-2	0,27-2	0,27-2	0,30	0,30	0,30	0,30	0,27-2	0,27-2	0,27-2

**Onderdelen die tijdens de installatie door de fabrikant of servicetechnicus zijn ingesteld, mogen niet opnieuw worden ingesteld door de operator.**

**De maximale en gereduceerde nominale warmteafgifte in kW is afhankelijk van de Hi van het gebruikte gas.**

**Als het product is aangesloten op LPG, moet de gasfles zich in een voldoende geventileerde ruimte bevinden.**

## Tabel van gassen waarvoor het product is bedoeld

Versie	Product-categorieën	Overdruk van verbindingen[m-bar]	Gebruikt gas	Land van bestemming
A1	I2E	20	G20	DE, NL, PL, RO
	I2ELL	20, 20	G20, G25	DE
	I2E+	20/25	G20/G25	BE, FR
	I2H	25	G20	HU
	I2H	20	G20	AT, BG, CH, CZ, DK, HR, EE, ES, FI, GB, GR, IE, IT, LT, LV, NO, PT, RO, SE, SI, SK, TR, LU, CY, FR
	I2L	25	G25	FR
	I2L	20	G25	RO
	I2Lw	20	G27	PL
	I3B/P	30	G30	BG, CY, CZ, DK, GB, HR, EE, FI, FR, GR, HU, IT, LT, LV, MT,NL, NO, RO, SE, SI, SK, TR
	I3B/P	37	G30	PL
	I3B/P	50	G30	AT, DE, CZ, CH, FR, SK
	I3P	37	G31	BE, CH, CZ, ES, GB, GR, IE, RO, SI, SK, FR, NL, PT, HR, IT, LT, PL, TR
	I3+	28-30/37	G30	BE, CH, CY, CZ, EE, ES, FR, GB, GR, IE, IT, LT, PT, SI, SK, TR
	II2E3B/P	20, 50	G20, G30	DE, PL, RO
	II2ELL-3B/P	20, 20, 50	G20, G25, G30	DE
	II2E+3+	20/25, 28-30/37	G20/G25, G30	BE, FR
	II2E+3P	20/25, 37	G20/G25, G31	BE, FR
	II2H3B/P	20, 30	G20, G30	BG, CZ, GB, DK, HR, EE, FI, GR, IT, LT, LV, NO, RO, SE, SI, SK, TR, CY, FR
	II2H3B/P	20, 50	G20, G30	AT, CH, CZ, FR, SK
	II2H3P	20, 37	G20, G31	CH, CZ, ES, GB, GR, IE, RO, SI, SK
	II2H3+	20, 28-30/37	G20, G30	CH, CY, CZ, EE, ES, GB, GR, IE, IT, LT, PT, SK, SI, TR
	II2L3B/P	25, 30	G25, G30	NL
	II2L3B/P	25, 50	G25, G30	NL
	II2L3B/P	20, 30	G25, G30	RO
II2H-S3B/P	25, 25, 30	G20, G25.1, G30	HU	



## Controle van de verpakking en het apparaat

Het apparaat verlaat ons magazijn in een verpakking die voldoet aan alle voorschriften en waarop zich de vereiste symbolen en markeringen bevinden. In de verpakking bevindt zich de overeenkomstige gebruiksaanwijzing. Indien de verpakking beschadigd is of wijst op onjuist transport, dient u dit onmiddellijk te reclameren bij de transporteur door middel van ondertekening van een schadeprotocol. Latere indiening van klachten wordt niet in aanmerking genomen.

**Het product moet één keer per jaar opnieuw gecontroleerd worden door een professionele servicetechnicus. De belangrijkste onderdelen die moeten worden gecontroleerd zijn de elektrische bedrading en de correcte werking van de veiligheidsvoorzieningen (veiligheidsthermostaten, contactors, enz.). Als het product niet regelmatig wordt gecontroleerd, kan de fabrikant niet aansprakelijk worden gesteld voor eventuele schade.**

### Belangrijke aanwijzingen

Lees deze gebruiksaanwijzing aandachtig en nauwkeurig door, omdat zij belangrijke informatie bevat over veiligheidsvoorzieningen, installatie en gebruik van het apparaat.

- Het product is alleen bedoeld om binnenshuis te worden gebruikt.
- Gebruik het apparaat nooit als de stroomtoevoer of stekker beschadigd is, als het niet juist werkt, het op de grond is gevallen en beschadigd of in het water is gevallen. Breng in dergelijke gevallen het apparaat naar een gespecialiseerde service om te controleren of het apparaat veilig is en correct werkt.
- Deze aanbevelingen zijn van toepassing op dit product of productlijn.
- Deze handleiding moet zorgvuldig bewaard worden voor toekomstig gebruik.
- Zorg ervoor dat kinderen het apparaat niet kunnen bedienen.
- Wanneer u hebt apparaat verkoopt of verplaatst, zorg er dan voor dat de persoon die het apparaat bedient of er de service van doet, bekend is met het gebruik en de installatie-instructies in de bijgevoegde handleiding.
- Het product mag uitsluitend worden bediend door een persoon die bekend is met deze gebruiksaanwijzingen.
- Het ingeschakelde apparaat niet zonder toezicht laten werken.
- Wij bevelen aan om het apparaat minimaal 2x per jaar een gespecialiseerde controle en onderhoudsbeurt te geven.
- Gebruik uitsluitend originele onderdelen bij eventuele reparatie of vervanging van onderdelen.
- Het apparaat mag niet schoongemaakt worden met een waterstraal of een hogedrukreiniger.
- Bij storingen of wanneer het apparaat niet goed werkt alle leidingen (water, stroom, gas) afsluiten en contact opnemen met de geautoriseerde service.
- De producent is niet aansprakelijk voor storingen die zijn veroorzaakt door incorrecte installatie, het niet in acht nemen van bovengenoemde aanbevelingen, gebruik dat niet in overeenstemming is met de



## Plaatsing

De volgende richtlijnen in overeenstemming met de normen TPG G 704 01, ČSN 127040 en ČSN 127010 moeten in acht worden genomen voor de juiste werking en opstelling van het apparaat.

Pak het apparaat uit een controleer of het tijdens het transport niet is beschadigd. Plaats het apparaat op een horizontale oppervlakte (de maximale oneffenheid mag maximaal 2° bedragen). Kleine oneffenheden kunnen worden opgevangen met de stelvoeten.

Als het apparaat zodanig geplaatst is dat het in contact komt met de wanden van het meubilair, dan moeten deze bestand zijn tegen temperatuur tot 60 °C. Installatie, afstelling en inbedrijfstelling moet door een gekwalificeerd persoon uitgevoerd worden die bevoegd is voor deze handelingen in overeenstemming met de toepasselijke normen.

Het apparaat kan afzonderlijk worden geïnstalleerd of in serie met door ons geproduceerde apparaten. Er moet een minimale afstand van 10 cm tot brandbare materialen aangehouden worden. In dit geval is het ook noodzakelijk de nodige aanpassingen uit te voeren om de warmte-isolatie van de brandbare onderdelen te waarborgen.

Het apparaat mag alleen worden geïnstalleerd op een onbrandbare ondergrond of tegen een onbrandbare wand.

De kleinste vereiste luchtstroming vanuit de buitenruimte voor de apparaten van versie A ligt in het bereik van 5-20 m<sup>3</sup>/h, afhankelijk van het type apparaat. Het hangt af van de installatievoorschriften van het land van bestemming.

De door de fabrikant of zijn vertegenwoordiger beveiligde onderdelen van het apparaat mag de persoon die de installatie van het product doet, niet wijzigen.

## Installatie

Belangrijk:

De fabrikant verleent geen garantie voor storingen die zijn ontstaan als gevolg van oneigenlijk gebruik, het niet in acht nemen van de instructies in bijgevoegde gebruikershandleiding en verkeerde hantering van het apparaat.

Installatie-, aanpassings- en reparatiewerkzaamheden op het apparaat voor grote keukens, evenals hun demontage als gevolg van mogelijke schade aan de gastoevoer, kunnen alleen worden uitgevoerd op basis van een onderhoudscontract. Dit contract kan met een geautoriseerde verkoper afgesloten worden, met inachtneming van de technische voorschriften en normen en voorschriften betreffende installatie, elektrische toevoerleidingen, gasaansluiting en arbeidsveiligheid.

Technische instructies voor installatie en afstelling zijn **UITSLUITEND** bestemd om door gespecialiseerde technici te worden gebruikt.

De volgende instructies zijn bestemd voor een technicus die de juiste kwalificaties bezit voor de installatie, om te verzekeren dat hij alle handelingen op de juiste manier en in overeenstemming met de geldende normen kan uitvoeren.

Iedere handeling die te maken heeft met onder andere regulatie, moet worden uitgevoerd terwijl het apparaat is losgekoppeld van de stroomvoorziening. Indien het apparaat toch onder spanning moet staan, dient u de grootst mogelijke voorzichtigheid in acht te nemen.

Het type apparaat voor de uitvoering van afzuiging staat vermeld op het typeplaatje, dit zijn de apparaten van het type A1.

# Veiligheidsvoorzieningen in verband met brandpreventie conform ČSN 061008 art. 21

- het apparaat mag uitsluitend door volwassenen bediend worden
- het apparaat kan veilig gebruikt worden in overeenstemming van de volgende normen:  
ČSN 33 2000-4-482: Brandbeveiliging in gebieden met een speciaal risico of gevaar  
ČSN 33 2000-4-42: Bescherming tegen invloeden van warmte

• het apparaat moet zo worden geplaatst dat het stevig staat of hangt op een vuurbestendige ondergrond  
Op of naast het apparaat mogen zich geen brandbare voorwerpen bevinden binnen de veilige afstand die voor het apparaat is vastgesteld (de kleinste afstand tot brandbare materialen bedraagt 10 cm).

Tabel: De mate van brandbaarheid van bouwmaterialen (ČSN 730823) weergegeven per substantie en product

Mate van brandbaarheid	Bouwmaterialen
A – niet brandbaar	Graniet, zandsteen, beton, baksteen, keramische bekleding, pleisterwerk
B – heel moeilijk brandbaar	Acuminiet, heracliet, lihnos, itaver
C1 – moeilijk brandbaar	Hout, loofhout, fineer, sirkoklit, verstevigd papier, umakart
C2 – gemiddeld brandbaar	Spaanplaat, solodur, kurkplaat, harde rubber, vloerbedekking
C3 – zeer brandbaar	Vezelplaat, polystyreen, polyurethaan, PVC

- Informatie over mate van brandbaarheid van gewone bouwmaterialen staan in de tabel hieronder. Installeer het apparaat op veilige wijze. Neem bij de installatie de voorschriften voor ontwerp, veiligheid en arbeidshygiëne in acht overeenkomstig:
  - ČSN 06 1008 brandveiligheid van lokale apparaten en warmtebronnen
  - ČSN 33 2000-4-482 brandbeveiliging in gebieden met een speciaal risico of gevaar
  - ČSN 33 2000-4-42 bescherming tegen invloeden van warmte

## De aansluiting van de gas slangaansluiting

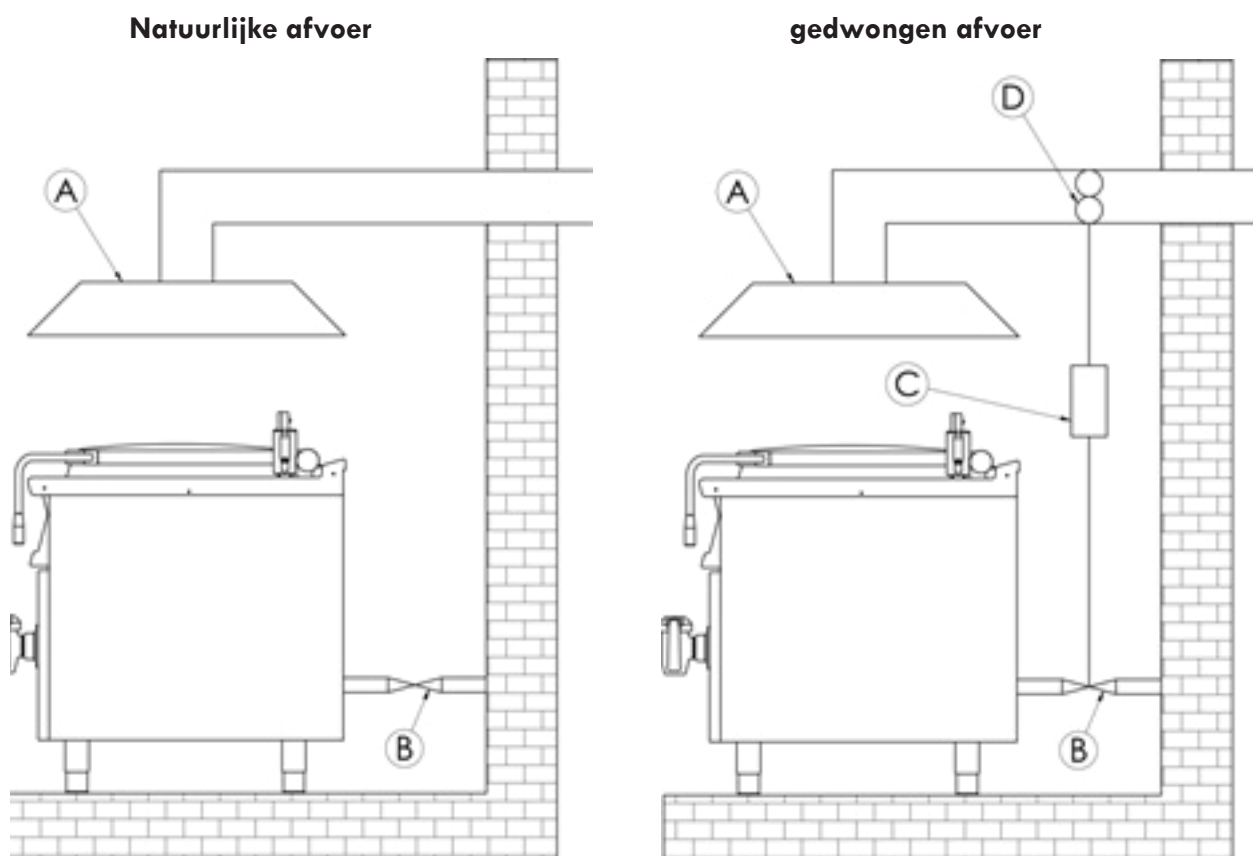
Het aansluiten van het apparaat op de gasleiding moet via een stalen of koperen slang uitgevoerd worden die overeenkomt met de toepasselijke nationale vereisten. De buis moet regelmatig gecontroleerd worden en indien nodig, vervangen worden. Elk apparaat moet uitgerust zijn met een afsluiter en een snelafsluiter. De snelafsluiter moet vrij toegankelijk en binnen handbereik van het apparaat zijn. Na het voltooien van de installatie moet gecontroleerd worden of er geen gaslek is. Om een eventueel gaslek op te sporen, kunt u een sopje of detectiespray gebruiken.

Gebruik geen stoffen die corrosie veroorzaken! Alle onze apparaten worden zorgvuldig gecontroleerd. Gastype, druk en aanduiding van de betreffende categorie zijn vermeld op het typeplaatje.

Aansluiting op vloeibaar gas:

De druk voor de aansluiting op vloeibaar gas moet 28 of 30 mbar voor propaan/butaan en 37 mbar voor propaan zijn. Het is noodzakelijk het plaatje te controleren, de druk te meten en te controleren of de parameters van de gebruikte sproeier overeenkomen met de gewenste parameters van de sproeier, overeenkomstig de eisen van de fabrikant. Als de druk lager is dan 25 mbar of hoger dan 37 mbar, **MAG HET APPARAAT NIET AANGESLOTEN WORDEN**. Aansluiting op aardgas: De druk voor de aansluiting op methaan moet 18 of 20 mbar zijn. Het is noodzakelijk het plaatje te controleren, de druk te meten en te controleren of de parameters van de gebruikte sproeier overeenkomen met de gewenste parameters van de sproeier, overeenkomstig de eisen van de fabrikant. Als de druk lager is dan 15 mbar of hoger dan 22,5 mbar, **MAG HET APPARAAT NIET AANGESLOTEN WORDEN**

# INSTRUCTIES VOOR HET UITVOEREN VAN GASAFVOER –TYPE A



## Natuurlijke afvoer, gedwongen afvoer

De uitgang van de afzuigkap bevindt zich in een apart schoorsteenlichaam (A). Rookgasafvoer zorgt voor een natuurlijke trek van de schoorsteen.

De uitgang van de afzuigkap heeft geen natuurlijke afvoer. De rookgasafvoer wordt verzorgd door een ventilator (D), (gedwongen afvoer). In dit geval is het noodzakelijk om een aansluiting op de gastoevoer (B) te voorzien om de gastoevoer uit te schakelen bij een storing.

## **Gebruiksaanwijzing**

Opgelet! Voordat u het apparaat gebruikt, moet u de beschermende folie van het gehele oppervlak verwijderen, het vervolgens goed met water en afwasmiddel wassen en daarna met een vochtige doek afnemen.

### **CONTROLE VAN DE APPARAATINSTELLING OP HET TYPE GAS**

Controleer of het apparaat aangepast is voor het gastype dat u gebruikt. Het type gas waarvoor het apparaat geschikt is, staat op het typeplaatje van elk apparaat vermeld.

### **INSTRUCTIES VOOR HET OMBOUWEN VAN HET APPARAAT NAAR EEN ANDER GASTYPE**

De apparaten zijn ingesteld en gecontroleerd op aardgas (zie het typeplaatje van het apparaat). Het ombouwen naar een ander gastype moet door een gekwalificeerd persoon uitgevoerd worden, de sproeiers voor andere gastypes zitten in de zak met de handleiding.

### **VERVANGING VAN HOOFDBRANDER SPROEIERS (afb. 3)**

Schroef de sproeier los en schroef een nieuw exemplaar voor het gewenste gastype vast (zie tab. Technische gegevens) U hoeft de luchttoevoer niet te regelen. Monteer alles terug in omgekeerde volgorde. Zorg ervoor dat alle delen van de brander goed in elkaar passen.

Belangrijk:

Als u het apparaat naar een ander gastype ombouwt, wijzig ook de informatie op het typeplaatje van het apparaat. Controleer van de werking van het apparaat:

- controleer op eventuele gaslekken
- controleer de ontsteking en de vlam van de hoofdblander
- controleer de vlam van de hoofdblander op min. vermogen
- controleer of de vlam van de brander aan het thermo-element "likt" en blauw is
- de gebruiker wordt geadviseerd om bij gebruik van het apparaat volgens de gebruiksaanwijzingen te werk te gaan

### **VLAMAFSTELLING BIJ VERMINDERD VERMOGEN**

Bij instelling van de kraan op minimaal vermogen wordt de vlam afgesteld door een schroef die zich in het lichaam van de kraan, naast de kraanas, bevindt.

Ga als volgt te werk om de vlam af te stellen:

- verwijder de regelknop van de kraan (door deze naar u toe te trekken)
- naast de kraanas zit een afstelgat
- regel de vlam met behulp van een kleine platte schroevendraaier

### **ONDERHOUD**

Het is aanbevolen om het apparaat ten minste twee keer per jaar door een professionele service te laten controleren. Alle ingrepen aan het apparaat mogen alleen door een gekwalificeerd persoon worden uitgevoerd die hiervoor bevoegd is. Sommige onderdelen moeten mogelijk vervangen worden tijdens de levensduur van het apparaat:

- piëzo elektrode, sensor van thermische zekering

### **VERVANGING VAN DE PIËZO ELEKTRODE OF SENSOR VAN THERMISCHE ZEKERING**

Schroef het onderste deksel los en verwijder het. Schroef de houder van de piëzo elektrode en thermische zekeringssensor los. Ontkoppel en demonteer de piëzo elektrode of de thermische zekeringssensor. Monteer het nieuwe onderdeel in omgekeerde volgorde.

## CONTROLE VAN APPARAATINSTELLING OP DE GASSOORT

Onze apparaten zijn gecertificeerd voor en ingesteld op aardgas (zie het type-label). Alleen een bevoegde monteur mag het apparaat ombouwen en aanpassen aan een andere soort gas. De vlampijpen voor de verschillende gassoorten bevinden zich in een zakje dat bij het fornuis wordt bijgeleverd en zijn gemarkeerd in honderdsten van millimeters.

Bij de vervanging van de hoofdbrander gaan we als volgt te werk:

- 1) We draaien het apparaat ondersteboven en we demonteren de poten en de bodem;
- 2) We demonteren met een sleutel, maat 12, de vlampijpen van de hoofdbranders en we vervangen die volgens de gegevens in de tabel (fig. 1);
- 3) We monteren opnieuw de bodem en de poten;

Bij de vervanging van de vlampijpen van de waakvlam gaan we als volgt te werk:

- 1) We demonteren het frontpaneel (allereerst moeten we de grote bedieningsknop afnemen en de aftaphendel afschroeven);
- 2) We draaien met een sleutel, maat 10, de toevoerslang van de waakvlam los (fig. 2);
- 3) We nemen de vlampijp uit en vervangen die door een vlampijp die in de tabel vermeld staat.

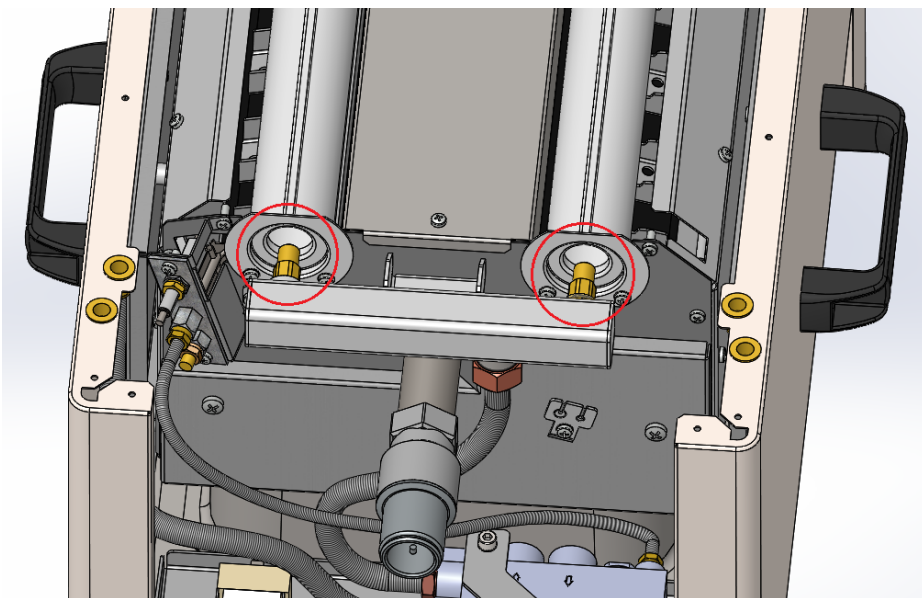


Fig. 1

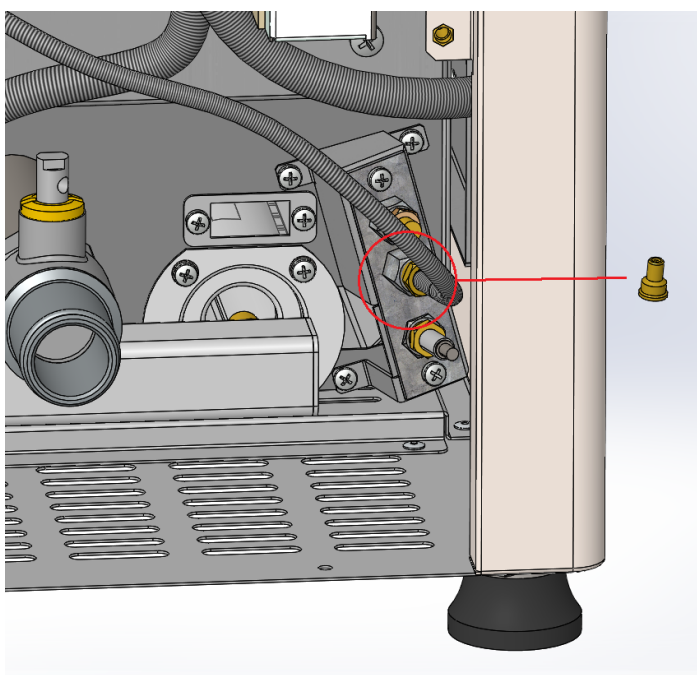


Fig 2

## Gebruikershandleiding

### Beschrijving van het bedieningspaneel

Pas op! Neem van het gehele oppervlak de beschermingsfolie af vóórdat u het apparaat in gebruik neemt. Was het apparaat daarna goed met water met een vaatwasmiddel af. Veeg het vervolgens met een vochtige doek schoon. Houd altijd toezicht op het apparaat als het in gebruik is.

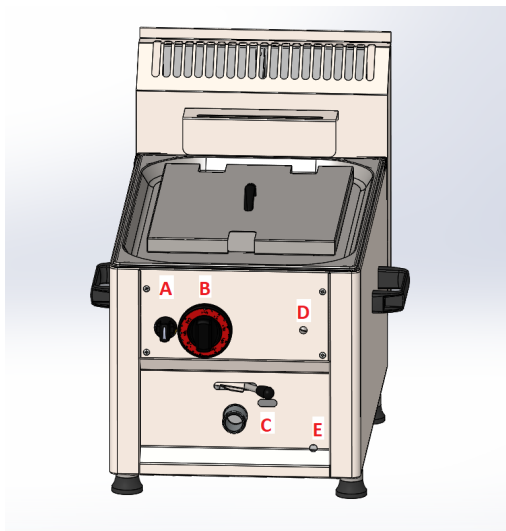
Schakel het apparaat nooit zonder olie in, ook niet als de hoeveelheid olie onder het merkteken voor het minimale oliepeil is. Er dreigt anders brandgevaar. De olie kan overkoken als hij vervuild is of als u hem al langere tijd gebruikt.

### Friteuse aansteken:

Om de friteuse aan te steken, drukken we de linkerknop (A) in. We openen op die manier de gastoevoer naar de waakvlam. Om de piëzo-aansteker te activeren, draaien we de knop – die we ingedrukt houden – naar links. Als de waakvlam niet meteen gaat branden, kunnen we de activering herhalen door de knop naar de oorspronkelijke stand terug te draaien (terwijl we hem ingedrukt houden) en daarna opnieuw naar links te draaien. Als de waakvlam gaat branden, houden we de linkerknop (A) nog ten minste 10 seconden ingedrukt om de thermische zekering te verwarmen. Daarna kunnen we de knop loslaten. Door hem vervolgens tot aan de uiterste stand naar links te draaien, zetten we de gastoevoer geheel open. Zo worden de hoofdbranders aangestoken. Met de rechterknop (B) met de schaalverdeling stellen we de verlangde olietemperatuur in.

### Friteuse uitschakelen:

Om de friteuse uit te schakelen, draaien we de linkerknop (A) naar rechts tot in de uiterste stand (zodat de bedieningsstang van de knop verticaal staat). Tijdens het draaien moeten we de vergrendeling van de piëzo-aansteker passeren door de knop lichtjes in te drukken.



- (A) Knop voor gastoevoer/piëzo-aansteker
- (B) Bedieningsknop van de thermostaat
- (C) Kijkglas voor controle van de waakvlam
- (D) Afdekschroef voor de veiligheidsthermostaat
- (E) Opening voor alternatieve ontsteking met een stang

De hanger voor de mand dient om de olie van de gefrituurde levensmiddelen te laten druipen. Het oppervlak vóór de frituurbak is niet bestemd om er de mand mee schoon te tikken! Als het apparaat in gebruik is of verhit is, mag het niet aan de handgrepen aan de zijkant verplaatst worden! Er bestaat anders risico op ongelukken!

Als het apparaat zonder onderstel wordt geïnstalleerd, moeten de poten bevestigd zijn, anders mag het apparaat niet in bedrijf genomen worden!

## HET RESERVOIR LATEN LEEGLOPEN

Laat het reservoir leeglopen als de olie afgekoeld is. De gebruiker moet over een geschikte bak beschikken, waarin de olie uit het reservoir opgevangen moet worden. Deze bak moet gemaakt zijn van hittebestendig materiaal. Zet de bak zodanig neer, dat de olie niet spat en daarmee geen gevaar vormt. Monteer de aftapbuis, verwijder de vergrendeling voor onbedoeld openen door die naar boven te draaien en zet de hendel in de stand die gemerkt is met een open kraan. Bij sommige friteuses wordt de olie afgetapt in een bak die in het onderstel is geplaatst. Draai de hendel in de stand die gemerkt is met een open kraan. Laat het reservoir leeglopen als de olie afgekoeld is.

## Opmerkingen en aanbevelingen

Let altijd op het oliepeil. Gebruik het apparaat nooit zonder olie. Gebruik het apparaat alleen als het onder toezicht staat. We vullen de hoeveelheid olie aan tot het merkteken GN, dat de maximale hoeveelheid aangeeft. De friteuse kan overstromen als de olie in de gastronombak water bevat.



## REINIGING EN ONDERHOUD

Het apparaat moet ten minste 2x per jaar door een gespecialiseerde service gecontroleerd worden. Alle ingrepen aan het apparaat mogen slechts door een gekwalificeerd persoon worden uitgevoerd, die daartoe bevoegd is.

**OPGELET!** Het apparaat mag niet schoongemaakt worden met een directe waterstraal of met een hogedrukreiniger. Maak het apparaat elke dag schoon. Dankzij het dagelijks onderhoud bent u verzekerd van een lange levensduur en de efficiëntie van het apparaat. Controleer voordat u begint met schoonmaken of het apparaat is losgekoppeld van het elektriciteitsnet. Onderbreek altijd de stroomvoorziening van het apparaat. Maak de elementen van roestvrijstaal schoon met een vochtige doek en een klein beetje schoonmaakmiddel zonder schurende deeltjes en droog met een doek. Gebruik geen schurende of corrosieve schoonmaakmiddelen.

Opgelet! Voordat u het apparaat gebruikt, moet u de beschermende folie van het gehele oppervlak verwijderen, het vervolgens goed met water en schoonmaakmiddel wassen en daarna met een vochtige doek afnemen.

Maatregelen bij storingen Onderbreek de stroom-/gasvoorziening en neem contact op met de serviceafdeling van de verkoper.

De garantie dekt niet alle verbruiksartikelen die onderhevig zijn aan normale slijtage (rubber dichtingen, lampjes, glazen en plastic onderdelen enz.). De garantie strekt zich ook niet uit over apparaten die niet zijn geïnstalleerd door bevoegde personen in overeenstemming met de instructies in de gebruiksaanwijzing en de van toepassing zijnde normen en indien het apparaat onjuist is behandeld (ingrepen in binnenapparatuur enz.) of indien het apparaat bediend is door ongetraind personeel en in de strijd met de gebruiksaanwijzing. Verder dekt de garantie geen schade veroorzaakt door natuurlijke verschijnselen of andere externe invloeden.

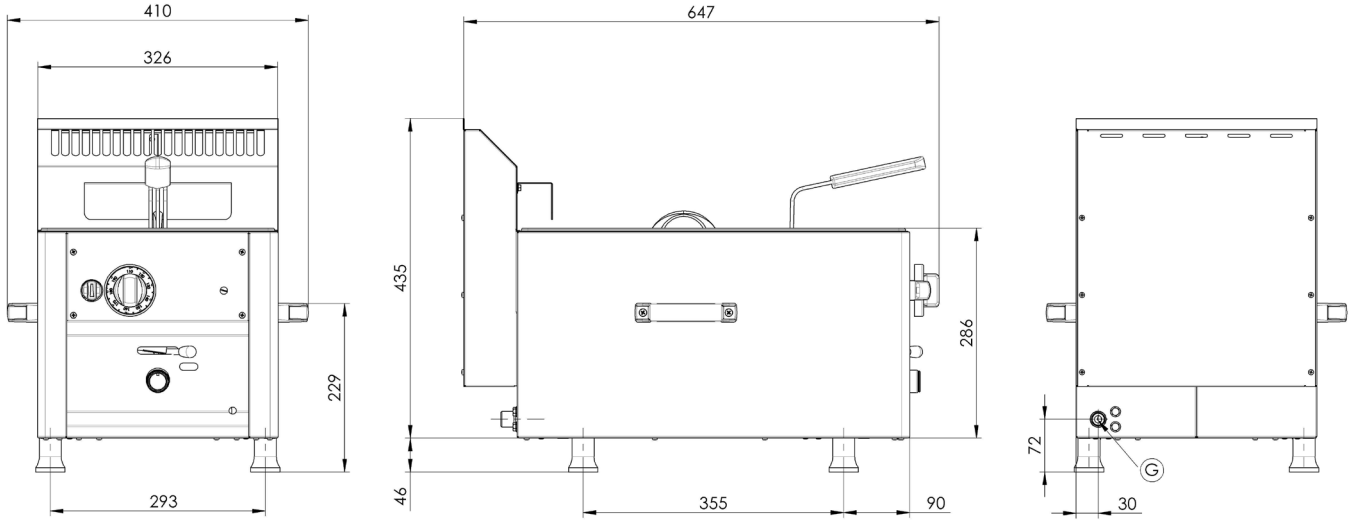
De transportverpakkingen en apparaten moeten aan het einde van hun levensduur aan een inzamelplaats overhandigd worden, in overeenstemming met de voorschriften voor afval en gevaarlijk afval beheer.

## Onderdelen die tijdens de levensduur van het product moeten worden vervangen

Component	Code
Thermokoppel L-600mm M9x1 Verdeeld	404050314
Gasklep GV30 100-190°C	404000428
Veiligheidsthermostaat 235°C	402511000
Brander FE30 GL multigas	404000115
Voorgemonteerde waakvlambrander	404000429

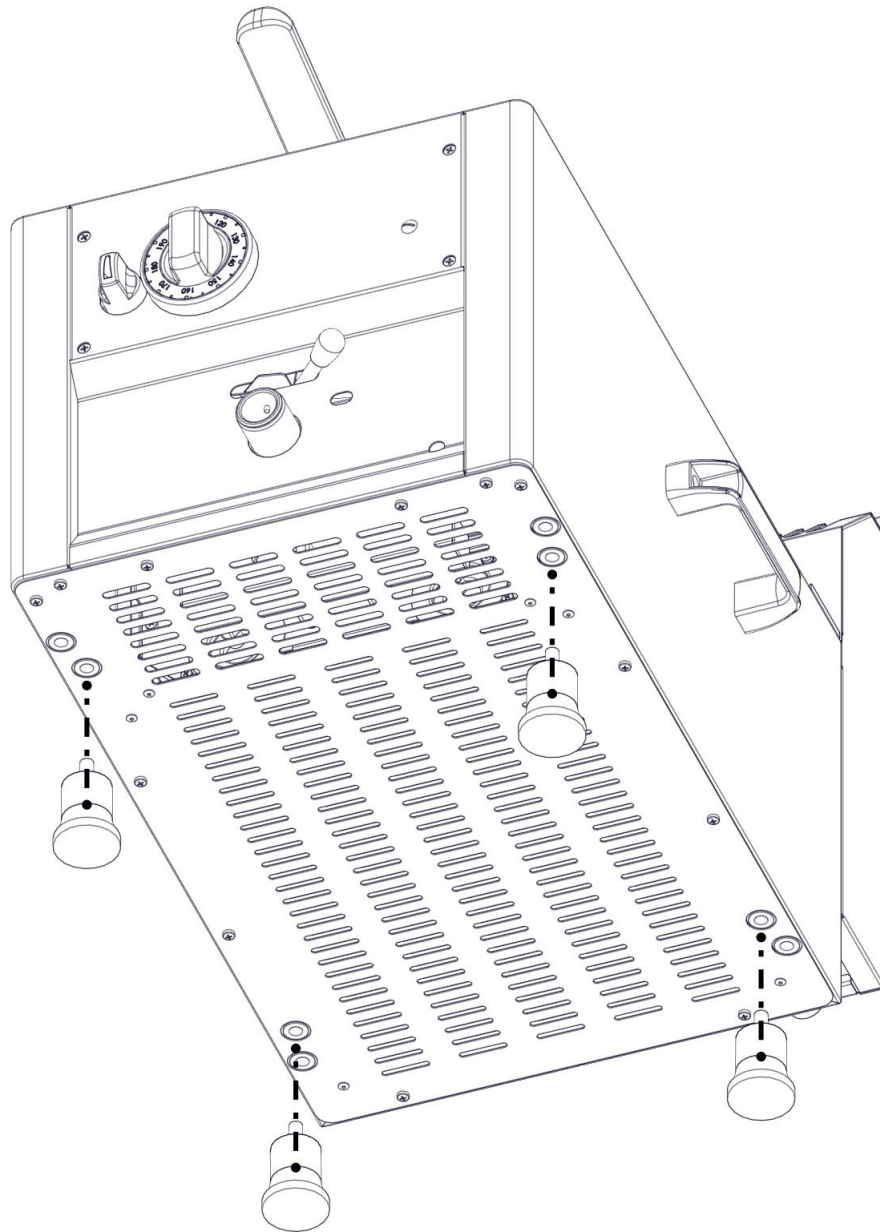
# Dimension

FE 30 GL





## Mounting of feet



## PROHLÁŠENÍ O SOULADU S NORMAMI

Výrobce prohlašuje, že přístroje jsou v souladu s nařízením 2014/30/EU, 2014/35/EU, 2016/426/EU, zákonem č.22/1997 Sb., č. 258/2000 Sb., 38/2001 sb, 118/2016 sb., 117/2016 sb. o ochraně veřejného zdraví, vyhláškou MZ č. 38/2001 Sb. a příslušnými nařízeními vlády. Instalace musí být uskutečněna s ohledem na platné normy.

Pozor, výrobce se vzdává jakékoli odpovědnosti v případě přímých i nepřímých poškození, které se vztahují ke špatné instalaci, nesprávným zásahem nebo úpravami, nedostatečnou údržbou, nesprávným používáním, a které jsou eventuálně způsobeny jinými příčinami, jež uvádí body uvedené v podmínkách prodeje. Tento spotřebič je určen pouze pro odborné používání a musí být obsluhován kvalifikovanými osobami. Části, které byly po nastavení zajištěny výrobcem nebo pověřeným pracovníkem, nesmí uživatel přestavovat.

## TECHNICKÁ DATA

Štítek s technickými údaji je umístěn na boku či zadním panelu přístroje. Před instalací si prostudujte schéma zapojení v příloženém návodu.

MODEL	PŘÍKON (kW)	ROZMĚR (mm)	OBJEM (l)	HMOTNOST NÁPLNĚ NA VANU (kg)	HMOTNOST ZAŘÍZENÍ (kg)
FE-30GL	7	410 x 480 x 645	8	1	22

zkušební plyn	G20	G20	G25	G27	G30	G30	G30	G31	G25.1	G2.350	G25
zkušební přetlak (mbar)	20	25	25	20	30	37	50	37	25	13	20
průměr trysky (mm)	1,25	1,20	1,25	1,40	0,87	0,80	0,80	0,87	1,30	1,70	1,35
průměr trysky pilot (mm)	0,27-2	0,27-2	0,27-2	0,27-2	0,30	0,30	0,30	0,30	0,27-2	0,27-2	0,27-2

**Části, které byly nastaveny výrobcem, nebo servisním technikem při instalaci, nesmí být obsluhou přenastavovány.**

**Maximální a snížený jmenovitý tepelný příkon v kW je vztažen k Hi použitého plynu.**

**V případě připojení výrobku na LPG, musí být plynová láhev v dostatečně větraných místnostech.**

## Tabulka plynů, pro které je výrobek určen

Provedení	Kategorie výrobků	Připojovací přetlaky [mbar]	Použitý plyn	Země určení
A1	I2E	20	G20	DE, NL, PL, RO
	I2ELL	20, 20	G20, G25	DE
	I2E+	20/25	G20/G25	BE, FR
	I2H	25	G20	HU
	I2H	20	G20	AT, BG, CH, CZ, DK, HR, EE, ES, FI, GB, GR, IE, IT, LT, LV, NO, PT, RO, SE, SI, SK, TR, LU, CY, FR
	I2L	25	G25	FR
	I2L	20	G25	RO
	I2Lw	20	G27	PL
	I3B/P	30	G30	BG, CY, CZ, DK, GB, HR, EE, FI, FR, GR, HU, IT, LT, LV, MT, NL, NO, RO, SE, SI, SK, TR
	I3B/P	37	G30	PL
	I3B/P	50	G30	AT, DE, CZ, CH, FR, SK
	I3P	37	G31	BE, CH, CZ, ES, GB, GR, IE, RO, SI, SK, FR, NL, PT, HR, IT, LT, PL, TR
	I3+	28-30/37	G30	BE, CH, CY, CZ, EE, ES, FR, GB, GR, IE, IT, LT, PT, SI, SK, TR
	II2E3B/P	20, 50	G20, G30	DE, PL, RO
	II2ELL-3B/P	20, 20, 50	G20, G25, G30	DE
	II2E+3+	20/25, 28-30/37	G20/G25, G30	BE, FR
	II2E+3P	20/25, 37	G20/G25, G31	BE, FR
	II2H3B/P	20, 30	G20, G30	BG, CZ, GB, DK, HR, EE, FI, GR, IT, LT, LV, NO, RO, SE, SI, SK, TR, CY, FR
	II2H3B/P	20, 50	G20, G30	AT, CH, CZ, FR, SK
	II2H3P	20, 37	G20, G31	CH, CZ, ES, GB, GR, IE, RO, SI, SK
	II2H3+	20, 28-30/37	G20, G30	CH, CY, CZ, EE, ES, GB, GR, IE, IT, LT, PT, SK, SI, TR
	II2L3B/P	25, 30	G25, G30	NL
	II2L3B/P	25, 50	G25, G30	NL
	II2L3B/P	20, 30	G25, G30	RO
	II2H-S3B/P	25, 25, 30	G20, G25.1, G30	HU

# KONTROLA OBALU A ZAŘÍZENÍ

Zařízení opouští naše sklady v řádném obalu, na kterém jsou odpovídající symboly a označení. V obalu se nachází odpovídající návod k obsluze. Jestliže by obal měl vykazovat špatné zacházení, známky poškození, musí se okamžitě reklamovat u přepravce a to sepsáním a podepsáním protokolu o škodě. Na pozdější reklamace nebude brán zřetel.

## **Důležité upozornění**

Tento návod musí být řádně a pozorně přečten, protože obsahuje důležité informace o bezpečnostních prvcích, instalaci a použití.

**Výrobek musí být jednou ročně překontrolován odborným servisem. Hlavními částmi pro kontrolu jsou elektrické rozvody a správná funkčnost bezpečnostních prvků (pojistné termostaty, stykače atd.). V případě, že produkt není zkontrolován v pravidelných intervalech, výrobce se vzdává odpovědnosti za případné vzniklé škody.**

- Výrobek je určen pouze k používání ve vnitřních prostorách.
- Nikdy spotřebič nepoužívejte, pokud má poškozený napájecí přívod nebo vidlici, pokud nepracuje správně, upadl na zem a poškodil se nebo spadl do vody. V takových případech zanechte spotřebič do odborného servisu k prověření jeho bezpečnosti a správné funkce
- Tato doporučení se vztahují na tento výrobek, nebo produktovou linii.
- Tento návod se musí řádně uschovat pro budoucí použití.
- Zabraňte dětem manipulovat s přístrojem.
- Při prodeji nebo přemístění je nutno se přesvědčit, že obsluha nebo odborný servis se seznámil s ovládáním a instalačními pokyny v příloženém návodu.
- Výrobek smí obsluhovat pouze obsluha, která se seznámila s tímto návodem k použití.
- Nesmí být spuštěn bez dozoru.
- Doporučuje se kontrola odborným servisem minimálně 1x ročně.
- Při eventuální opravě nebo výměně dílů musí být použity originální náhradní díly.
- Výrobek se nesmí čistit proudem vody nebo tlakovou sprchou.
- Při poruše nebo špatném chodu výrobku je nutné odpojit veškeré přívody (voda, elektřina, plyn) a zavolat autorizovaný servis.
- Výrobce se vzdává jakékoli zodpovědnosti při poruchách způsobenými chybnou instalací, nedodržením shora uvedených doporučení, jiným užíváním apod.
- Přístroj se smí používat pouze k účelu, ke kterému je určený, jiné použití je zakázané a může vést ke vzniku nebezpečí či úrazu
- Musí být zajištěno nejprísnejší dodržování pravidel protipožární ochrany
- Za provozu a krátce po něm jsou některé části spotřebiče horké
- Je zakázáno se během provozu dotýkat jiných částí spotřebiče, než ovládacích prvků k tomu určených
- Při používání přepáleného oleje hrozí jeho přehřátí a následné překypění, či vzplanutí
- Je zakázáno používat fritézu bez dohledu
- Je zakázáno doplňování oleje, v případě, že je fritéza zahřátá
- Je zakázáno používání hořlavých rozpouštědel a čistících prostředků
- Je zakázáno spouštět spotřebič, pokud je hladina oleje pod ryskou minima, nebo naopak nad ryskou maxima varné nádoby
- Je zakázáno vkládání vlhkých potravin nebo nalévání vody do horkého oleje nebo tuku. Hrozí nebezpečí popálení

## UMÍSTĚNÍ

Ke správné činnosti a umístění spotřebiče je nutné dodržet veškeré předepsané nařízení a zákony dané země.

Rozbalte přístroj a zkontrolujte, zda se přístroj nepoškodil během přepravy. Umístěte přístroj na vodorovnou plochu (maximální nerovnost do 2°). Drobné nerovnosti lze vyrovnat regulovatelnými nožičkami.

Jestliže zařízení bude umístěno tak, že bude v kontaktu se stěnami nábytku, tyto musí odolávat teplotě až 60°C. Instalaci, seřízení, uvedení do provozu musí provést kvalifikovaná osoba, která má k takovýmto úkonům oprávnění a to dle platných norem.

Přístroj může být instalován samostatně nebo v sérii s přístroji naší výroby. Je nutno dodržovat minimální vzdálenost 10 cm od hořlavých materiálů. V tomto případě je nutné zabezpečit odpovídající úpravy, aby byla zabezpečena tepelná izolace hořlavých částí.

Spotřebič se musí instalovat pouze na nehořlavém povrchu nebo u nehořlavé stěny.

**Nejmenší požadovaný průtok vzduchu z venkovního prostoru pro spotřebiče v provedení A je v rozmezí 5-20 m<sup>3</sup>/h, dle typu spotřebiče. Zaleží na instalačních předpisech pro danou zemi určení.**

**Součásti spotřebiče zajištěné výrobcem, nebo jeho zástupcem nesmí pracovník provádějící instalaci výrobku přestavovat.**

**Zařízení musí být instalováno ve vhodně větraném prostředí.**

## INSTALACE

### **Důležité:**

Výrobce neposkytuje žádnou záruku na závady, vzniklé v důsledku nesprávného používání, nedodržování instrukcí obsažených v příloženém návodu k použití a špatným zacházením se spotřebiči.

Instalaci, úpravy a opravy spotřebičů pro velkokuchyně, tak jako i jejich demontáž z důvodu možného poškození přívodu plynu, mohou být prováděny pouze na základě smlouvy o údržbě, tato smlouva může být uzavřena s autorizovaným prodejcem, přičemž musí být dodržovány technické předpisy a normy a předpisy týkající se instalace, elektrického přívodu, plynové přípojky a bezpečnosti práce.

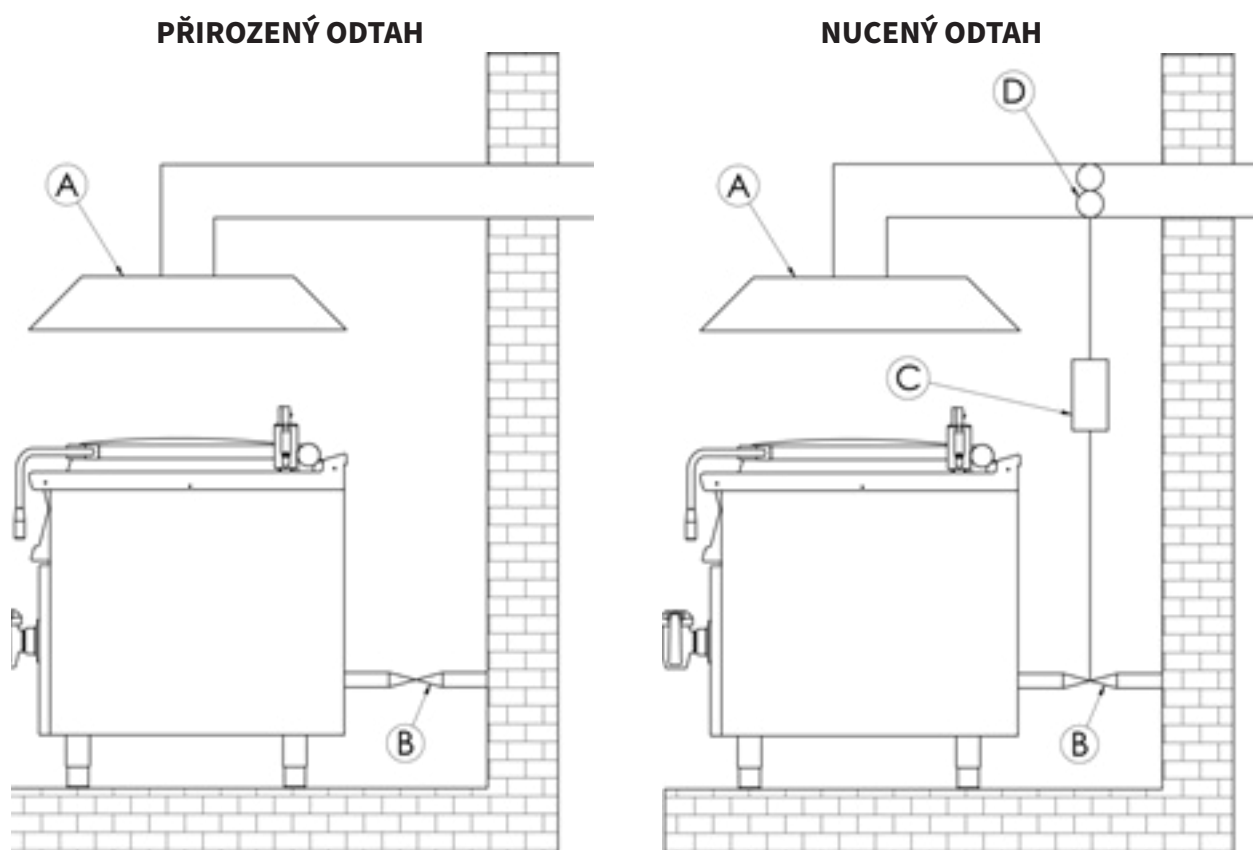
Technické instrukce pro instalaci a seřízení, k použití POUZE pro specializované techniky.

Instrukce, které následují, se obrací k technikovi kvalifikovanému pro instalaci, aby provedl všechny operace způsobem co nejkorektnějším a podle platných norem.

Jakákoli činnost spojená s regulací apod. musí být vykonána pouze se zařízením odpojeným ze sítě. Je - li nutno udržovat spotřebič pod napětím je nutno dbát nejvyšší opatrnosti.

Typ spotřebiče pro provedení odtahu je deklarován na typovém štítku, jedná se o spotřebiče typu A1.

## PROVEDENÍ ODTAHU PLYNU



Vyústění digestoře je do samostatného komínového tělesa (A). Odtah spalin zabezpečuje přirozený tah komínu.

Vyústění digestoře je bez přirozeného odtahu. Odtah spalin je zabezpečován pomocí ventilátoru (D), (nucený odtah). V tomto případě je nezbytné zabezpečit propojení s přívodem plynu (B) pro vypnutí přívodu plynu při výpadku.

# BEZPEČNOSTNÍ OPATŘENÍ Z HLEDISKA POŽÁRNÍ OCHRANY PODLE

## ČSN 061008 ČL. 21

- obsluhu spotřebiče smí provádět pouze dospělé osoby
- spotřebič smí být bezpečně používán v souladu s normami a zákony dané země.
- spotřebič je nutné umístit tak, aby stál nebo visel pevně na nehořlavém podkladu

**Na spotřebič a do vzdálenosti menší než bezpečná vzdálenost od něho nesmějí být kladeny předměty z hořlavých hmot (nejmenší vzdálenost spotřebiče od hořlavých hmot je 10 cm).**

Tabulka: stupeň hořlavosti stavební hmoty zařazené do st. hořlavosti hmot a výrobků

Stupeň hořlavosti	Stavební hmoty
A - nehořlavé	žula, pískovec, betony, cihly, keramické obkladačky, omítky
B - nesehadno hořlavé	akumin, heraklit, lihnos, itaver
C1 - těžce hořlavé	dřevo, listnaté, překližky sirkoklit, tvrzený papír, umakart
C2 - středně hořlavé	dřevotřískové desky, solodur, korkové desky, pryž, podlahoviny
C3 - lehce hořlavé	dřevovláknité desky, polystyrén, polyureten, PVC

**• informace o stupni hořlavosti běžných stavebních hmot uvádí tabulka výše. Spotřebiče musí být instalovány bezpečným způsobem. Při instalaci musí být dále respektovány příslušné projektové, bezpečnostní a hygienické předpisy a zákony dané země.**

## TRUBKA PRO PŘIPOJENÍ PLYNU

Plyn musí být připojen trubkou o maximální délce 1,5 metru z pozinkované oceli, mědi nebo ohebnou ocelovou hadicí a to v souladu s platnými normami dané země. Každý přístroj musí mít uzavíratelný kohout u přívodu, aby se dal snadno zastavit přívod plynu. Po instalaci přístroje musíme zkontrolovat případné úniky plynu. Nikdy nekontrolujte úniky otevřeným ohněm. Pro kontrolu úniku plynu je nutno použít materiály, které nezpůsobují korozi např. roztok mýdlové vody. Přístroje prošly důkladnou kontrolou u výrobce, údaje o druhu plynu, tlaku a typu přístroje jsou uvedeny na štítku s charakteristikami. Lahve na LPG musí být vybaveny regulátorem, který odpovídá přetlakům plynu na výrobním štítku zařízení v souladu s platnou legislativou dané země určení.



## KONTROLA NASTAVENÍ PŘÍSTROJE NA DRUH PLYNU

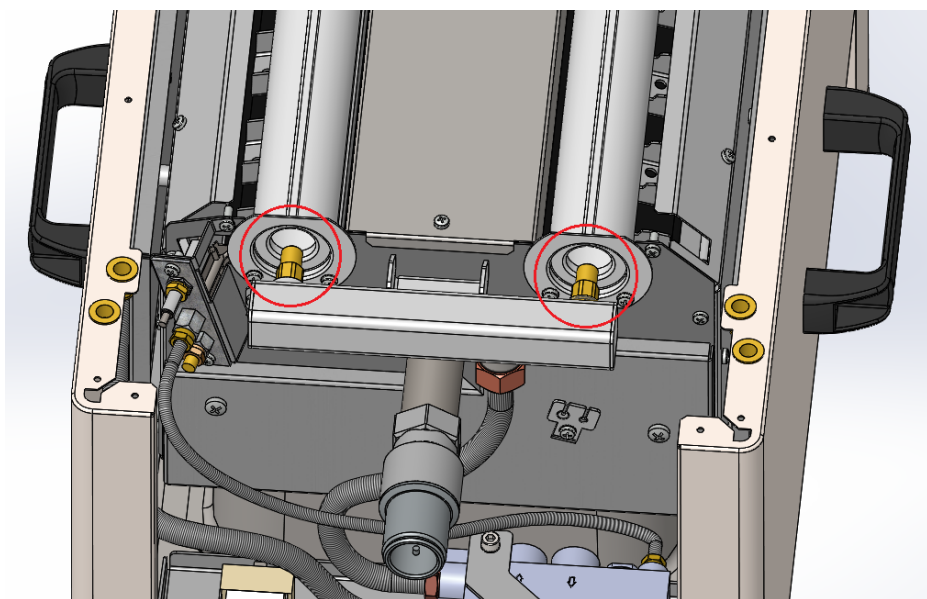
Naše spotřebiče jsou certifikovány a regulovány pro zemní plyn (viz. typový štítek). Přestavba nebo přizpůsobení na jiný typ plynu musí být provedena pouze oprávněným technikem. Trysky na různé typy plynu jsou v sáčku, přibaleném ke sporáku a jsou označeny v setinách mm.

Při výměně trysky hlavního hořáku je třeba postupovat následujícím způsobem:

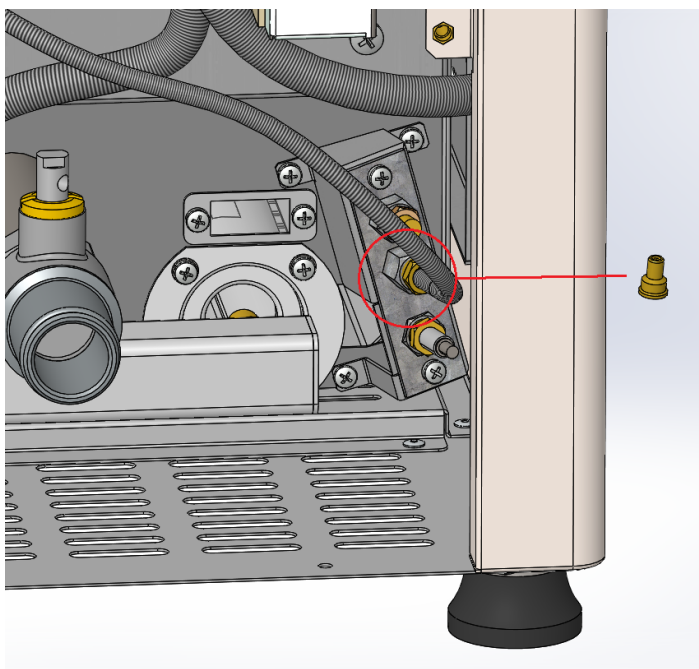
- 1) Spotřebič otočíme vzhůru nohama a demontujeme nožičky a dno
- 2) Klíčem velikosti 12 demontujeme trysky hlavních hořáků a nahradíme tryskami dle tabulky (obr. 1)
- 3) Vrátime zpět dno a nožičky

Při výměně trysky pilotního hořáku je třeba postupovat následujícím způsobem:

- 1) Demontujeme čelní panel (je třeba nejprve sundat velký ovládací knoflík a vyšroubovat páku výpusti)
- 2) Klíčem velikosti 10 vyšroubojeme přívodní hadici pilotního hořáku (obr. 2)
- 3) Vyjmeme trysku a nahradíme za trysku dle tabulky



obr. 1



obr. 2

## NÁVOD K POUŽITÍ

dobře omýt vodou se saponátem na nádobí, a poté otřít vlhkým hadrem.

Nikdy nenechte přístroj v chodu bez dozoru.

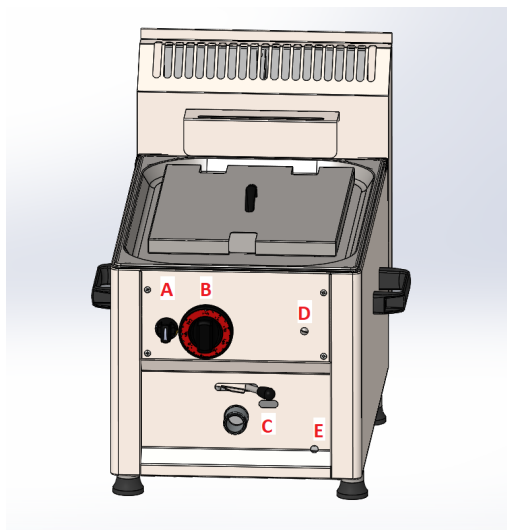
Nikdy nezapínejte přístroj bez oleje nebo pokud je hladina oleje pod ryskou minima existuje nebezpečí požáru. Pokud je olej znečištěn nebo jej používáte delší dobu hrozí překypění oleje.

Zapálení fritézy:

Pro zapálení lehce zamáčkneme levý knoflík (A). Tím dojde k otevření přívodu plynu do pilotního hořáku. Pootočením stále stisknutého knoflíku směrem vlevo škrtneme piezozapalovačem. Pokud pilotní hořák hned nechytne, můžeme škrtnání opakovat vrácením knoflíku (stále stisknutého) do původní polohy a opětovným pootočením vlevo. V momentě, kdy pilotní hořák chytne, držíme levý knoflík (A) stisknutý ještě alespoň 10 sekund, aby se nahřála termopojistka. Pak můžeme knoflík odlehčit a otočením vlevo až do krajní polohy plně otevřít přívod plynu. Dojde k zapálení hlavních hořáků. Pomocí pravého knoflíku (B) se stupnicí regulujeme požadovanou teplotu oleje.

Vypnutí fritézy:

Pro vypnutí zařízení otočíme levý knoflík (A) vpravo až do krajní polohy (tak, aby byla ovládací stopka knoflíku svisle), cestou je nutné překonat západku piezozapalovače lehkým zamáčknutím knoflíku.



- Knoflík přívodu plynu/piezozapalovače
- Ⓐ Ovládací knoflík termostatu
- Ⓑ Průzor kontroly pilotního plamene
- Ⓒ Krycí šroub pojistného termostatu
- Ⓓ Otvor pro alternativní zapálení špejlí
- Ⓔ

**Pro odkapání oleje ze smažené potraviny slouží závěs pro koš.**

**Plocha před smažicí nádobou není určena k oklepávání koše!**

**Zařízení nesmí být přenášeno za boční madla v případě, že je v provozu nebo rozpálené!**

**Hrozí nebezpečí úrazu!**

**Zařízení nesmí být uvedeno do provozu bez namontovaných nožiček!**

## VYPUŠTĚNÍ VANY

Vanu vylévejte, pokud je olej chladný.

Uživatel se musí vybavit vhodnou nádobou na vypouštění oleje z vany. Tato nádoba musí být z tepelně odolného materiálu a musí být postavena tak, že olej nebude stříkat a tím nebude způsobovat nebezpečí. Nasadte odtokovou trubici odstraňte pojistku proti nechtěnému otevření směrem vzhůru a páčku posuňte do polohy s označením otevřeného kohoutu. U některých druhů fritéz se vypouští olej do nádoby umístěné v podstavbě. Otočte pákou do polohy s označením otevřeného kohoutu. Vanu vypouštějte, pokud je olej chladný.

## Poznámky a doporučení

Neustále kontrolujte hladinu oleje, nikdy nepoužívejte přístroj bez oleje. Používejte přístroj pouze pod dohledem. Dolíváme olej maximálně po rysku GN, která označuje maximální množství. K překypění fritézy může dojít, pokud olej v gastronádobě obsahuje vodu.

## ČIŠTENÍ A ÚDRŽBA

POZOR! Zařízení se nesmí čistit přímou nebo tlakovou vodou. Čistěte zařízení denně, odpojené od energie a vychladlé. Denní údržba prodlužuje životnost a účinnost zařízení. Vždy vypněte hlavní přívod k zařízení. Nerezové části omyjte vlhkým hadrem se saponátem bez hrubých částic, poté vše otřete do sucha, zejména okolí ovládacích prvků. Nepoužívejte abrasivní nebo korosivní čisticí prostředky.

### JAK POSTUPOVAT V PŘÍPADĚ PORUCHY

Vypněte zařízení a zavolejte servisní organizaci prodejce.

## UPOZORNĚNÍ

Záruka se nevztahuje na všechny spotřební díly podléhající běžnému opotřebení (gumová těsnění, žárovky, skleněné a plastové díly atd.) a díly vyžadující pravidelné seřízení (např. termostaty). Záruka se též nevztahuje na zařízení pokud není provedena instalace v souladu s návodem – oprávněným pracovníkem dle odpovídajících norem a pokud bylo se zařízením neodborně manipulováno (zásahy do vnitřního zařízení) nebo bylo obsluhováno nezaškoleným personálem a v rozporu s návodem k použití, dále se záruka nevztahuje na poškození přírodními vlivy či jiným vnějším zásahem a při nedodržování zásad pravidelného čištění a údržby.

### ZPŮSOB VYUŽITÍ A LIKVIDACE ODPADŮ:

Obal zařízení prodejte sběrným surovinám, přebalové folie dejte do sběrných kontejnerů na plasty. Zařízení po ukončení životnosti odevzdejte do sběru, dle předpisů a o nakládání s odpadem a nebezpečným odpadem.

## Díly které bude třeba vyměnit v průběhu doby životnosti produktu

Komponenta	Kód
Termočlánek L-600mm M9x1 dělený	404050314
Ventil plynový GV30 100-190°C	404000428
Termostat pojistný 235°C	402511000
Hořák FE30 GL multigas	404000115
Hořák pilotní, předmontovaný	404000429

Producent oświadcza, że urządzenia są zgodne z rozporządzeniem 2014/30/UE, 2014/35/UE, 2016/426/UE, ustawą nr 22/1997 Dz.U., nr 258/2000 Dz.U., 38/2001 Dz.U., 118/2016 Dz.U., 117/2016 Dz.U. o ochronie zdrowia publicznego, dekretem nr 38/2001 Dz.U. Ministerstwa Zdrowia i odpowiednimi przepisami rządowymi. Uwaga, producent zrzeka się wszelkiej odpowiedzialności w przypadku bezpośrednich i pośrednich szkód związanych z nieprawidłową instalacją, niewłaściwą interwencją lub modyfikacjami, brakiem konserwacji, niewłaściwym użytkowaniem i które mogą być spowodowane innymi przyczynami wskazanymi w punktach wymienionych w warunkach sprzedaży. To urządzenie jest przeznaczone wyłącznie do użytku profesjonalnego i musi być obsługiwane przez wykwalifikowane osoby. Części, które zostały zabezpieczone po regulacji przez producenta lub osobę upoważnioną, nie mogą być ponownie montowane przez użytkownika.

Etykieta z danymi technicznymi znajduje się na bocznym lub tylnym panelu urządzenia. Przed instalacją należy zapoznać się ze schematem okablowania w załączonej instrukcji.

MODEL	Moc (kW)	Wymiary (mm)	Objętość (l)	Waga wypełnienia wanny (kg)	Waga urządzenia (kg)
FE-30GL	7	410 x 480 x 645	8	1	22

gaz testowy	G20	G20	G25	G27	G30	G30	G30	G31	G25.1	G2.350	G25
nadciśnienie testowe (mbar)	20	25	25	20	30	37	50	37	25	13	20
średnica dyszy (mm)	1,25	1,20	1,25	1,40	0,87	0,80	0,80	0,87	1,30	1,70	1,35
średnica dyszy pilotowej (mm)	0,27-2	0,27-2	0,27-2	0,27-2	0,30	0,30	0,30	0,30	0,27-2	0,27-2	0,27-2

**Części, które zostały ustawione przez producenta lub technika serwisowego podczas instalacji, nie mogą być ponownie ustawiane przez operatora.**

**Maksymalny i zredukowany nominalny pobór ciepła w kW jest związany z Hi używanego gazu.**

**Jeśli produkt jest podłączony do zasilania gazem LPG, butla z gazem musi znajdować się w odpowiednio wentylowanym pomieszczeniu.**

## Tabela gazów, dla których przeznaczony jest wyrób

Provedení	Kategorie výrobků	Připojovací přetlaky [mbar]	Použitý plyn	Země určení
A1	I2E	20	G20	DE, NL, PL, RO
	I2ELL	20, 20	G20, G25	DE
	I2E+	20/25	G20/G25	BE, FR
	I2H	25	G20	HU
	I2H	20	G20	AT, BG, CH, CZ, DK, HR, EE, ES, FI, GB, GR, IE, IT, LT, LV, NO, PT, RO, SE, SI, SK, TR, LU, CY, FR
	I2L	25	G25	FR
	I2L	20	G25	RO
	I2Lw	20	G27	PL
	I3B/P	30	G30	BG, CY, CZ, DK, GB, HR, EE, FI, FR, GR, HU, IT, LT, LV, MT, NL, NO, RO, SE, SI, SK, TR
	I3B/P	37	G30	PL
	I3B/P	50	G30	AT, DE, CZ, CH, FR, SK
	I3P	37	G31	BE, CH, CZ, ES, GB, GR, IE, RO, SI, SK, FR, NL, PT, HR, IT, LT, PL, TR
	I3+	28-30/37	G30	BE, CH, CY, CZ, EE, ES, FR, GB, GR, IE, IT, LT, PT, SI, SK, TR
	II2E3B/P	20, 50	G20, G30	DE, PL, RO
	II2ELL-3B/P	20, 20, 50	G20, G25, G30	DE
	II2E+3+	20/25, 28-30/37	G20/G25, G30	BE, FR
	II2E+3P	20/25, 37	G20/G25, G31	BE, FR
	II2H3B/P	20, 30	G20, G30	BG, CZ, GB, DK, HR, EE, FI, GR, IT, LT, LV, NO, RO, SE, SI, SK, TR, CY, FR
	II2H3B/P	20, 50	G20, G30	AT, CH, CZ, FR, SK
	II2H3P	20, 37	G20, G31	CH, CZ, ES, GB, GR, IE, RO, SI, SK
	II2H3+	20, 28-30/37	G20, G30	CH, CY, CZ, EE, ES, GB, GR, IE, IT, LT, PT, SK, SI, TR
	II2L3B/P	25, 30	G25, G30	NL
	II2L3B/P	25, 50	G25, G30	NL
	II2L3B/P	20, 30	G25, G30	RO
	II2H-S3B/P	25, 25, 30	G20, G25.1, G30	HU

Urządzenie opuszcza zakłady odpowiednio zapakowane, właściwie oznakowane i etykietowane. Posiada również instrukcję obsługi. W przypadku, kiedy opakowanie nosioznaki niewłaściwego traktowania lub uszkodzenia, należy bezzwłocznie zgłosić ten fakt na piśmie u przewoźnika i podpisać protokół szkody.

## Ważne

Niniejsza instrukcja powinna być przeczytana z uwagą, ponieważ zawiera ważne informacje bezpieczeństwa, montażu oraz obsługi.

**Produkt musi być raz w roku ponownie sprawdzany przez profesjonalnego technika serwisowego. Głównymi częściami, które należy sprawdzić, są przewody elektryczne i prawidłowe działanie zabezpieczeń (termostatów bezpieczeństwa, styczników itp.). W przypadku, gdy produkt nie jest sprawdzany w regularnych odstępach czasu, producent zrzeka się odpowiedzialności za wszelkie poniesione szkody.**

-Produkt nie jest przeznaczony na zewnątrz - tylko do użytku w pomieszczeniach.

-Nigdy nie używaj urządzenia, jeśli przewód zasilający lub wtyczka zostały uszkodzone; jeśli nie działa prawidłowo, spadł na ziemię i został uszkodzony, lub wpadł do wody.

W takich przypadkach należy wezwać autoryzowany serwis lub dostarczyć urządzenie do serwisu, aby było możliwe sprawdzenie bezpieczeństwa i poprawności działania.


· należy uważnie zapoznać się z niniejszą instrukcją obsługi, ponieważ zawiera ona ważne informacje dotyczące elementów bezpieczeństwa, montażu i użytkowania

· podane zalecenia odnoszą się do opisanego produktu

· niniejszy produkt jest zgodny z obowiązującymi normami

· instrukcję należy zachować do przyszłego użytku

· produkt powinien znajdować się poza zasięgiem dzieci

 obsługi oraz serwisanci zapoznali się z zaleceniami dotyczącymi obsługi i instalacji podanymi w załączonej instrukcji

· urządzenie mogą obsługiwać tylko upoważnione do tego osoby

· nie należy pozostawiać włączonego urządzenia bez nadzoru

· zalecamy, aby produkt był sprawdzany przez profesjonalny serwis przynajmniej raz w roku

· w razie napraw, należy używać wyłącznie oryginalnych części zamiennych

· produktu nie należy czyścić strumieniami wody lub ciśnieniowo

· w razie uszkodzenia lub awarii, należy odłączyć wszystkie przewody zasilające (wodne, gazowe, elektryczne) i wezwać fachowy serwis

· producent nie bierze odpowiedzialności za szkody powstałe z powodu niewłaściwego montażu, nieprzestrzegania powyższych zaleceń, użytkowania niezgodnego z przeznaczeniem, itp.

- Produkt jest przeznaczony do użytku tylko w pomieszczeniach.

Do regulacji i instalacji urządzenia jest konieczne, by pomieszczenie - kuchnia - było odpowiednio wietrzona (wg istniejących norm). Jeżeli urządzenie będzie umieszczone tak, że będzie stykać się ze ścianą pomieszczenia (kuchni), musi być ściana odporna na temperaturę powyżej 60°C.

Ważne jest by po odpakowaniu urządzenia, skontrolować czy urządzenie nie zostało uszkodzone w czasie transportu. Urządzenie umieścić na poziomej powierzchni (z max nierównościami do 2°). Drobne nierówności można wyrównać za pomocą nóżek.

Urządzenie może być instalowane oddzielnie lub w serii z innymi urządzeniami naszej produkcji. Jest ważne utrzymać odległość 10 cm od materiałów łatwopalnych. W takim przypadku ważne jest dodatkowe zabezpieczenie materiałami izolującymi.

### **Ważne**

**Producent nie odpowiada za usterki, które powstały na skutek nieodpowiedniej eksploatacji urządzenia wbrew instrukcji obsługi.**

**Poniższe instrukcje przeznaczone są dla wykwalifikowanego pracownika autoryzowanego serwisu, aby przeprowadził instalację w poprawny sposób, zgodnie z obowiązującymi normami.**

**Jakakolwiek regulacja powinna być przeprowadzona przy urządzeniu odłączonym od sieci. Jeśli jednak zaistnieje konieczność regulacji w trakcie pracy urządzenia, należy zachować szczególną ostrożność.**

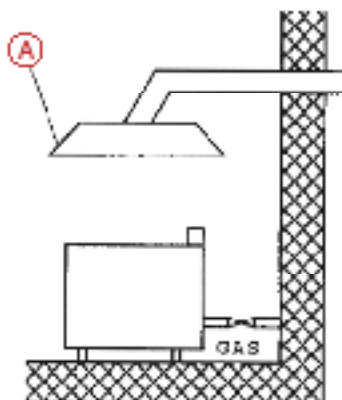
## **INSTALACJA**

Instalacja, naprawy i ustawienia urządzeń do kuchni profesjonalnych i demontaż mogą być przeprowadzane tylko na podstawie umowy o utrzymaniu. Taka umowa może być podpisana ze sprzedawcą urządzenia. Muszą być zachowane wszystkie normy i przepisy dotyczące instalacji i bezpieczeństwa pracy.

Wentylacja pomieszczenia musi być odpowiednio zaprojektowana, wg. istniejących przepisów i norm. Urządzenie może być zainstalowane samodzielnie lub w serii z innymi naszymi urządzeniami. Od ewentualnej ściany z łatwopalnego materiału musi być utrzymany odstęp ponad 10cm.



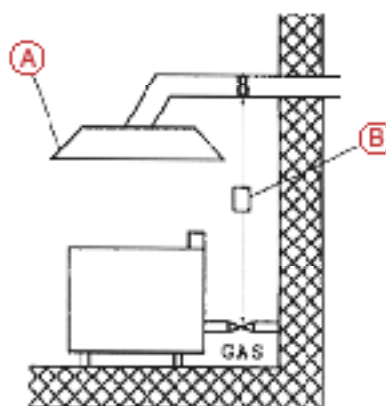
## WYCIĄG NATURALNY



Wyciąg jest umieszczony bezpośrednio nad urządzeniem a wentylacja jest zapewniona przez naturalny ciąg komina.

A - wyciąg  
B - sterownik

## WYCIĄG WYMUSZONY



Instalacja wentylacyjna nie posiada naturalnego ciągu, lecz jest on wymuszony wentylatorem. W tym przypadku konieczne jest sprzężenie z zaworem dopływu gazu - w przypadku awarii wentylatora dopływ gazu do urządzenia odcięty.

- urządzenia mogą obsługiwać tylko dorosłe osoby
- urządzenie musi być bezpiecznie użytkowane w typowych otoczeniach zgodnie z EN 332000-4-482; EN 332000-4-42
- urządzenie musi być umieszczone w taki sposób, aby stało lub było zawieszona na niepalnej powierzchni. Żadne przedmioty z palnych materiałów nie mogą znajdować się bezpośrednio na urządzeniu lub w odległości mniejszej niż bezpieczna odległość (najbliższa odległość wynosi 10 cm).
- bezpieczne odległości od różnych materiałów o różnych stopniach palności i informacje o stopniach palności typowych materiałów budowlanych podano w tabeli:• spotřebič smí být bezpečně

### Stopień palności materiałów budowlanych sklasyfikowany według metody określania stopnia palności materiałów i produktów (EN 730823)

<b>A niezapalne</b>	granit, piaskowiec, betony, cegły, płytki ceramiczne, tynk
<b>B nietłwo zapalne</b>	akuminy, heraklity, lihnos, itavere
<b>C1 trudno zapalne</b>	drewno z drzew liściastych, sklejka, sirkoklit, laminat
<b>C2 średnio zapalne</b>	płyty pilśniowe, solodure, płyty korkowe, guma, wykładziny podłogowe
<b>C3 łatwo zapalne</b>	płyty z włókien drzewnych, polistyren, poliuretan, PVC

Urządzenia należy instalować w sposób bezpieczny. Podczas montażu należy przestrzegać wymogów dotyczących projektowania, bezpieczeństwa i higieny zgodnie z:

- EN 061008 ochrona pożarowa urządzeń i źródeł ciepła
- EN 332000 (33 2000-4-482; 33 2000-4-42) otoczenie urządzeń elektrycznych

Przewód elektryczny powinien posiadać oddzielny bezpiecznik, odpowiadający mocy instalowanego pieca. Moc urządzenia należy skontrolować na tabliczce znamionowej umieszczonej na bocznej ścianie urządzenia.


Przewód uziemiający musi być dłuższy od pozostałych przewodów. Urządzenie należy podłączyć bezpośrednio do sieci. Między urządzeniem a siecią należy zamontować wyłącznik zabezpieczający zgodny z normami. Przewód uziemiający (żółto-zielony) nie może być podłączony do tego wyłącznika.

Przewód elektr. powinien być umieszczony tak, aby w żadnym punkcie nie osiągnął temp. o 50° wyższej od otoczenia. Przed podłączeniem do sieci należy sprawdzić czy:

- bezpiecznik wewn. oraz instalacja są odpowiednie do obciążenia urząd.(patrz tabl. znam.)
- instalacja posiada uziemienie zgodne z normami
- wył. zabezp. jest łatwo dostępny

**Producent nie ponosi odpowiedzialności w przypadku nie zachowania odpowiednich norm lub naruszenia w / w zasad.**

Przed użyciem, urządzenie należy wyczyścić (patrz rozdz. czyszczenie i konserwacja). Urządzenie musi być uziemione za pomocą śruby z oznaczeniem uziemienia.

-  - Nie wkładaj wtyczki zasilania do źródła zasilania. szuflady i nie wyciągaj z el. gniazda z mokrymi rękami i ciągnąc za zasilaczem!  
- Nie używaj przedłużaczy ani gniazd.

Przyłącze wody przeprowadzić za pomocą opancerzonego węża ciśnieniowego. Wypust powinien być zakończony zaworem.

Odpad musi być umieszczony ponżej spustu z wanny i musi być podłączony do odpływu poprzez syfon.

Srednica do podłączenia wody 3/4" a srednica wea odpadu to 20 mm.

Właściwości doprowadzanej wody:

- Twardość wody musi się mieścić w zakresie 0,5 - 5 ° francuskich stopni. Jeśli twardość będzie większa należy zastosować zmiękczacze wody.
- Ciśnienie wody musi się mieścić w zakresie 50 - 250 kPa.
- Zawartość chloru w wodzie nie może być wyższa niż 10 ppm, w przeciwnym wypadku może dojść do uszkodzenia wanny.
- Odczyn wody musi być wyższy niż 7 pH.
- Przewodność elektryczna : 50 - 2000 uS/cm(20°C)

## KONTROLA NASTAWIENIA URZĄDZENIA NA RODZAJ GAZU

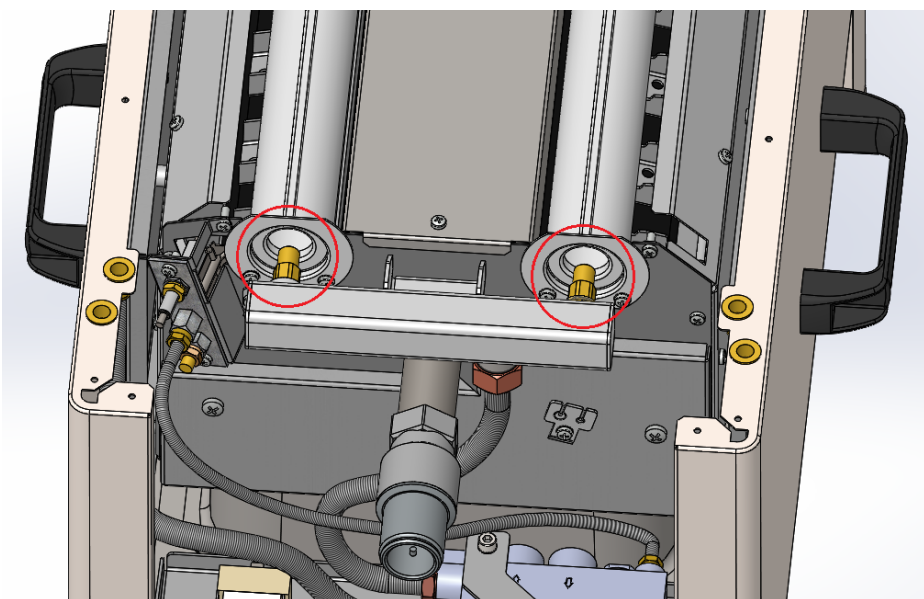
Nasze urządzenia są certyfikowane i nastawione na gaz ziemny (patrz tabliczka znamionowa). Przebudowę lub nastawienie na inny typ gazu musi przeprowadzić wyłącznie uprawniony technik. Dysze na różne typy gazu są w torebce załączonej do kuchenki i są oznaczone w setnych częściach mm.

Przy wymianie dyszy głównego palnika trzeba postępować następująco:

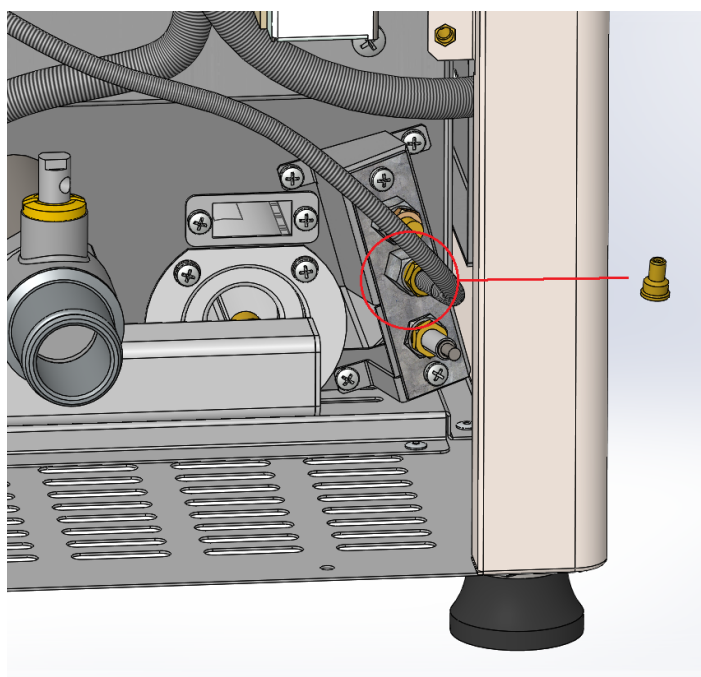
- 1) Obrócić urządzenie do góry nogami i zdemontować nóżki i dno
- 2) Kluczem 12 zdemontować dysze głównych palników i wymienić na dysze według tabeli (rys. 1)
- 3) Zamontować z powrotem dno i nóżki

Wymieniając dyszę palnika pilotażowego trzeba postępować następująco:

- 1) Zdemonstować przedni panel (trzeba najpierw zdjąć duże pokrętko do obsługi i wyśrubować dźwignię zaworu)
- 2) Kluczem 10 wykręcić wąż doprowadzający palnika pilotażowego (rys. 2)
- 3) Wyjąć dyszę i wymienić na dyszę według tabeli



rys. 1



rys. 2

## Sposób użycia

### Opis panelu do obsługi

Uwaga! Przed rozpoczęciem używania urządzenia jest konieczne zdjęcie z całej powierzchni folii ochronnej, a następnie dobre umycie wodą ze środkiem do mycia naczyń, następnie wytrzeć wilgotną szmatką. Nigdy nie zostawiać pracującego urządzenia bez nadzoru.

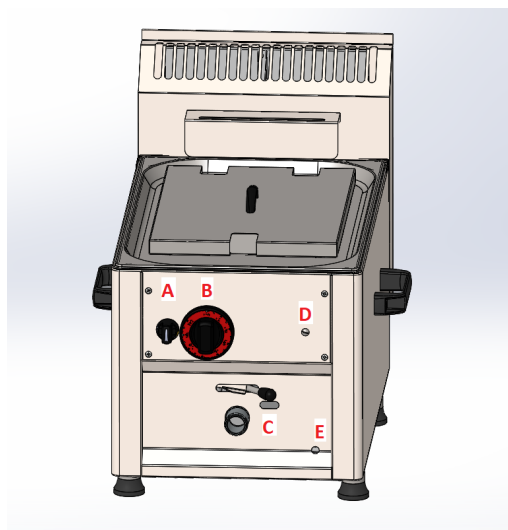
Nigdy nie włączać urządzenia bez oleju lub jeżeli poziom oleju jest poniżej znaku minimum - niebezpieczeństwo pożaru. Jeżeli olej jest zanieczyszczony lub w razie jego używania przez dłuższy czas grozi wykipienie oleju.

### Zapalenie frytkownicy:

W celu zapalenia lekko wcisnąć lewe pokrętło (A). Dojdzie do otwarcia doprowadzenia gazu do palnika pilotażowego. Dalej obracając wciśniętym pokrętłem w lewo włączy się zapalarka piezoelektryczna. Jeżeli palnik pilotażowy nie zapali się natychmiast, można powtórzyć zapalenie obracając pokrętło (wciąż wciśnięte) do pierwotnej pozycji i ponownie obracając w lewo. W chwili, kiedy palnik pilotażowy zapali się, przytrzymać lewe pokrętło (A) wciśnięte jeszcze co najmniej 10 sekund, aby nagrzał się bezpiecznik bimetalowy. Następnie można pokrętło zwolnić i obracając w lewo do skrajnej pozycji całkowicie otworzyć doprowadzenie gazu. Dojdzie do zapalenia palników głównych. Z pomocą prawego pokrętła (B) z podziałką reguluje się żądaną temperaturę oleju.

### Wyłączenie frytkownicy:

W celu wyłączenia urządzenia należy obrócić lewym przyciskiem (A) w prawo do skrajnej pozycji (tak, aby trzpień pokrętła był pionowo), obracając trzeba pokonać opór zapadki zapalarki piezoelektrycznej lekko wciskając pokrętło.



- (A) Pokrętło doprowadzenia gazu/zapalarki piezoelektrycznej
- (B) Pokrętło termostatu
- (C) Wziernik kontroli płomienia pilotażowego
- (D) Śruba kryjąca termostatu bezpieczeństwa
- (E) Otwór do alternatywnego zapalania zapalką

Do odkapywania oleju ze smażonego pokarmu służy wieszak na kosz. Powierzchnia przed wanną do smażenia nie jest przeznaczona do odkapywania oleju z kosza! Urządzenia nie wolno przenosić za boczne uchwyty, jeżeli pracuje lub jest rozpalone! Grozi niebezpieczeństwo zranienia!

W przypadku instalacji urządzenia bez podbudowy nie wolno uruchamiać urządzenia bez zamontowanych nóżek!

## OPRÓŻNIANIE WANNY

Wannę należy opróżnić po ostygnięciu oleju. Użytkownik musi wyposażyć się w odpowiednie naczynie do wypuszczania oleju z wanny. Pojemnik ten musi być z materiału odpornego na wysoką temperaturę i musi być umieszczony tak, aby olej nie rozpryskiwał się i nie powodował niebezpieczeństwa. Nasadzić rurkę odpływową, usunąć bezpiecznik przeciwko przypadkowemu otwarciu w górę i przemieścić dźwignię do pozycji z oznaczeniem otwartego zaworu. W przypadku niektórych typów frytkownic olej wypuszcza się do pojemnika umieszczonego w podbudowie. Obrócić dźwignię do pozycji z oznaczeniem otwartego zaworu. Opróżnić wannę po ostygnięciu oleju.

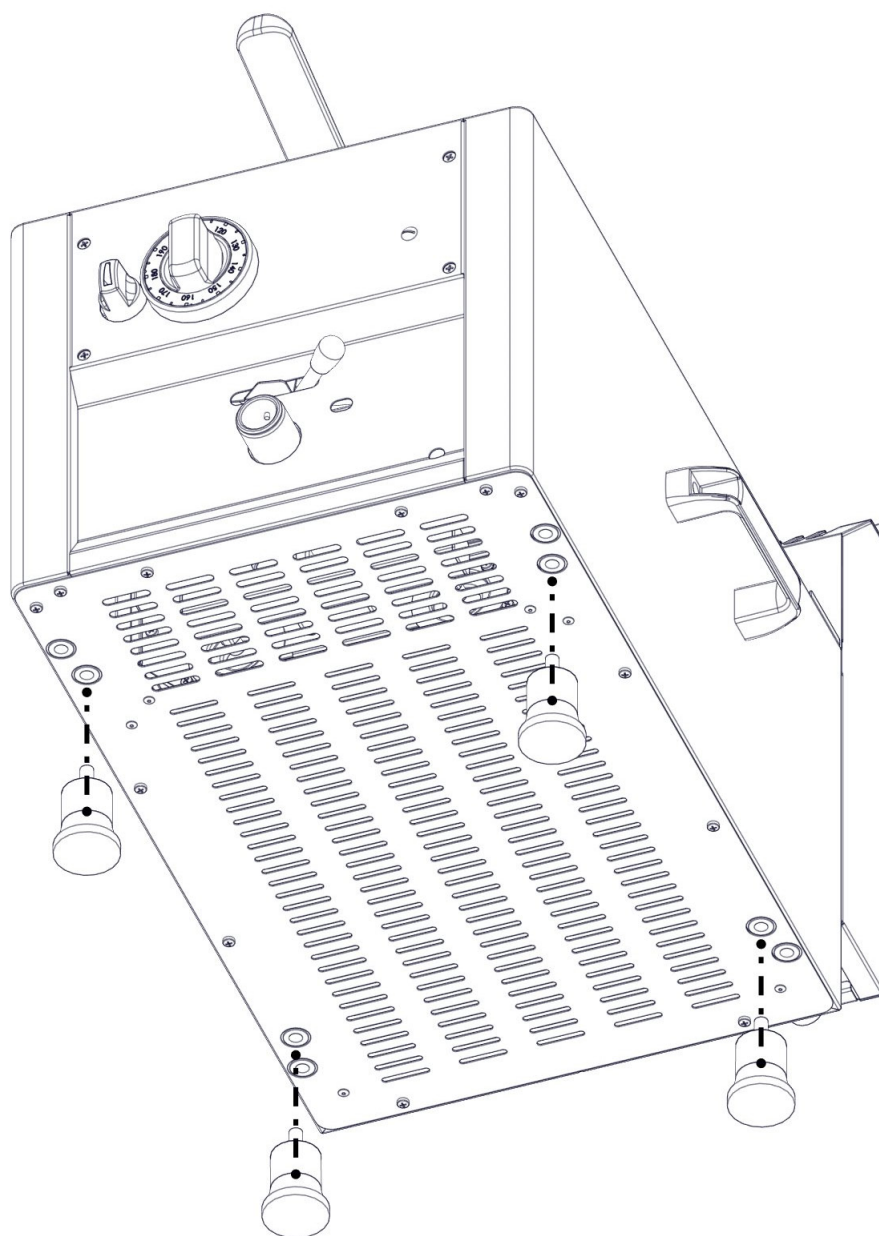
### Uwagi i zalecenia

Nieustannie kontrolować poziom oleju, nigdy nie używać urządzenia bez oleju. Używać urządzenia tylko pod nadzorem. Olej dolewać maksymalnie do znaku GN, który oznacza maksymalną ilość. Do wykipienia oleju może dojść, jeżeli olej w wannie frytkownicy zawiera wodę.

## Części, które będą wymagały wymiany w okresie eksploatacji produktu

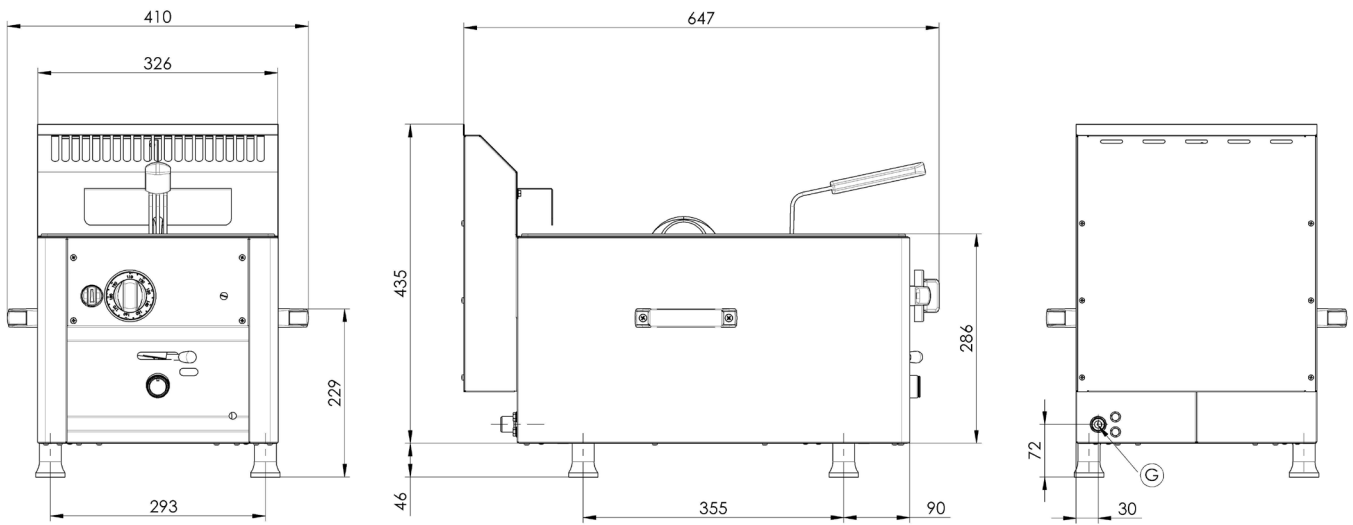
Komponenta	Kód
Termočlánek L-600mm M9x1 dělený	404050314
Ventil plynový GV30 100-190°C	404000428
Termostat pojistný 235°C	402511000
Hořák FE30 GL multigas	404000115
Hořák pilotní, předmontovaný	404000429

## Montáž nožiček



# ROZMĚROVÉ OBRÁZKY RYSUNEK WYMIAROWY

FE 30 GL



## List of service organizations:

**CZ: RM GASTRO CZ s. r. o.**, Náchodská 818/16, Praha 9

Tel. +420 281 926 604, [info@rmgastro.cz](mailto:info@rmgastro.cz), [www.rmgastro.cz](http://www.rmgastro.cz)

**SK: RM Gastro Slovakia**, Rybárska 1, Nové Město nad Váhom

Tel.: +421 32 7717061, [obchod@rmgastro.sk](mailto:obchod@rmgastro.sk), [www.rmgastro.sk](http://www.rmgastro.sk)

**PL: RM GASTRO Polska Sp. z o. o.**, ul. Skoczowska 94, 43-450 Ustroń

Tel.: +33 854 73 26, [www.rmgastro.pl](http://www.rmgastro.pl)